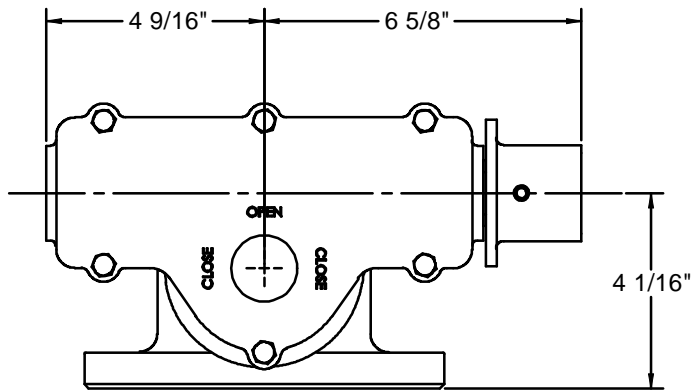
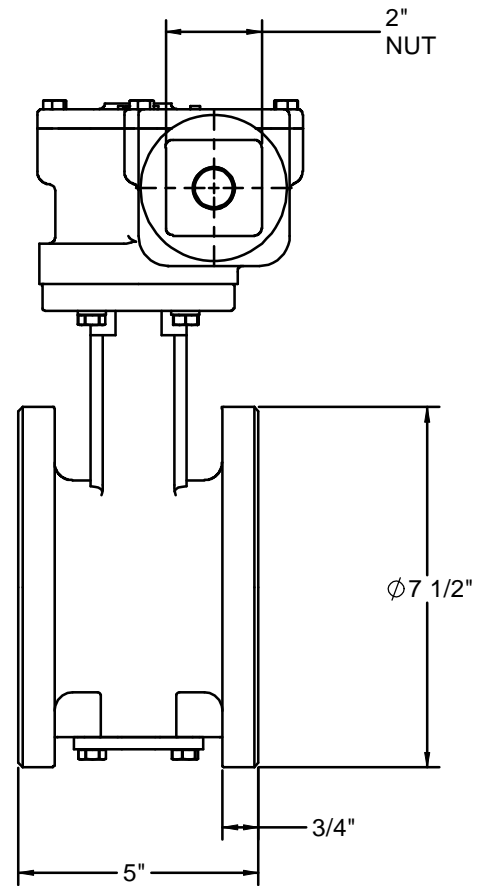
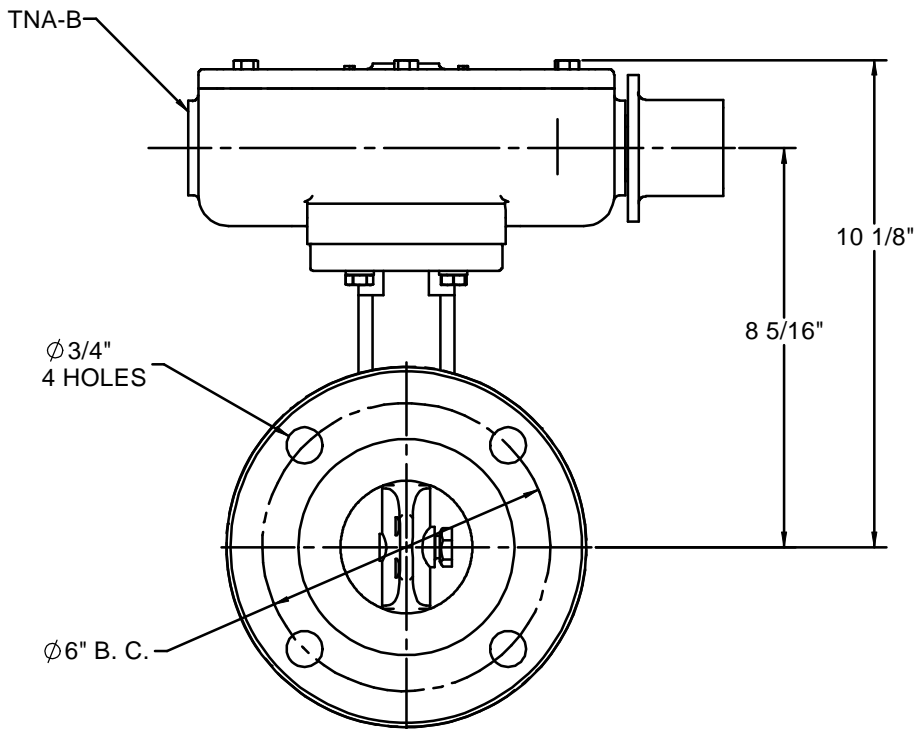
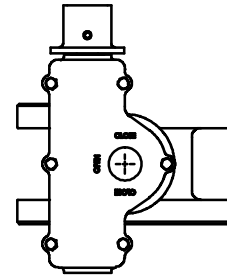


3"-504 WITH TNA OPERATOR AND 2" NUT



◆ OPTIONAL CONFIGURATION



NOTES:

1. 150 PSIG MAXIMUM WORKING PRESSURE.
2. THIS VALVE CONFORMS TO AWWA C504.
3. FLANGES AND DRILLING PER ANSI 16.1 CLASS 125.
4. ASTM A126 GL. B CAST IRON BODY.
ASTM A351-CF8M TYPE 316 STAINLESS DISC.
ASTM A276 TYPE 304 STAINLESS STEEL SHAFT.
5. VALVE IS DESIGNED FOR BI-DIRECTIONAL FLOW.
6. VALVE MAY BE INSTALLED WITH SHAFT IN EITHER HORIZONTAL OR VERTICAL POSITION.
7. ALL DIMENSIONS ARE IN INCHES.
8. VALVE EXTERIOR WILL BE COATED WITH 8 MILS EPOXY.

REDRAWN: _____
CHECKED: _____
DRAWN: C. GEARY 02/24/09

K-FLO
BUTTERFLY VALVES
BY
CRISPIN VALVES
3"-504 SERIES
BUTTERFLY VALVE
TNA OPERATOR

SIZE **C** 03-504 TNA REV **0**