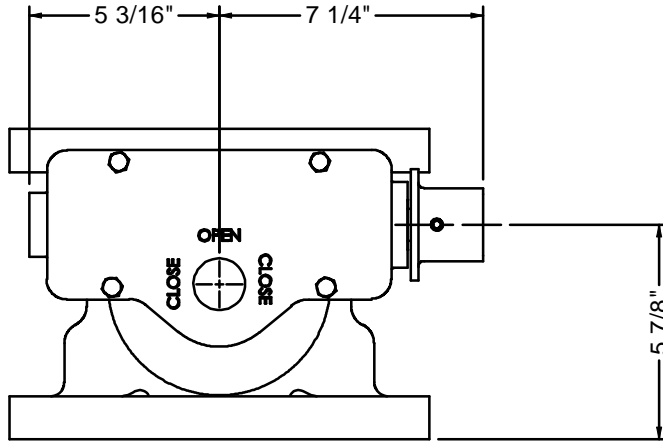
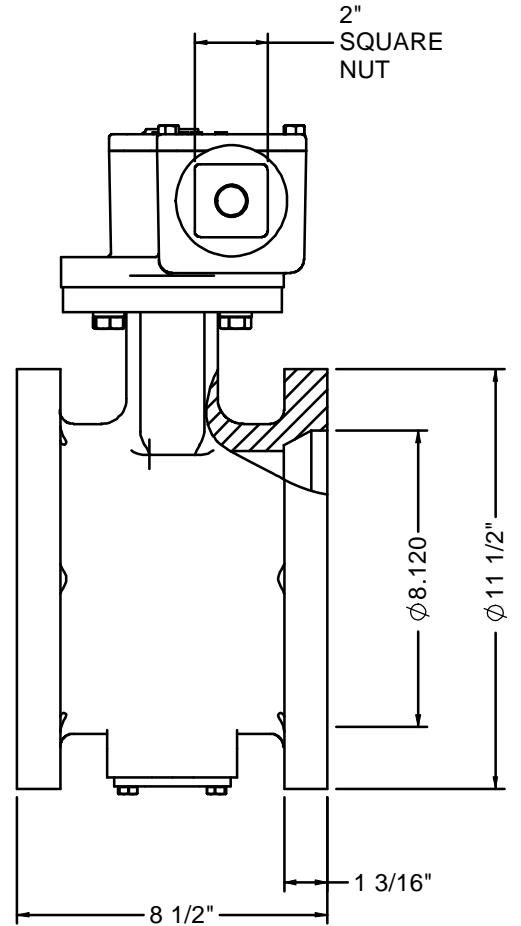
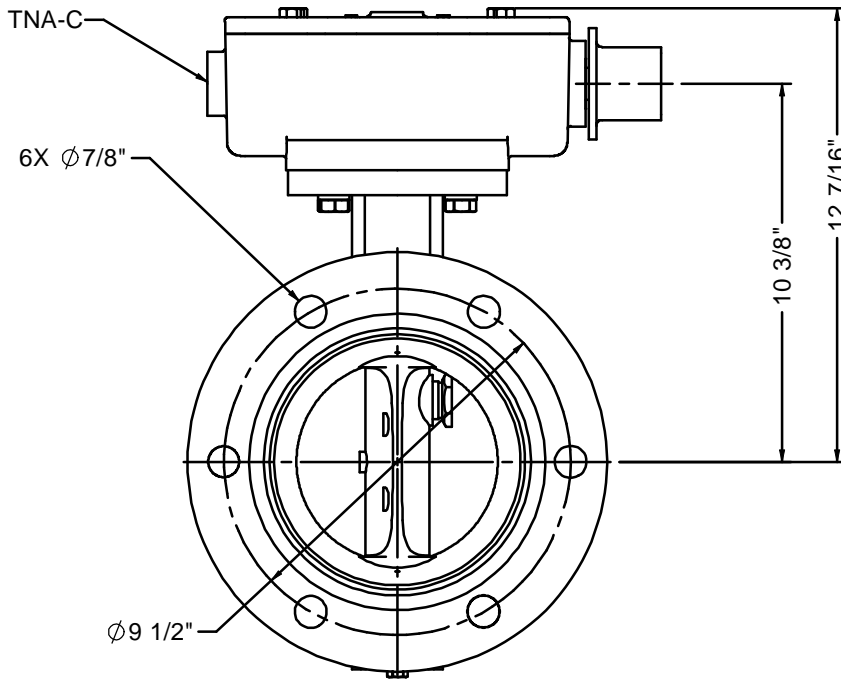
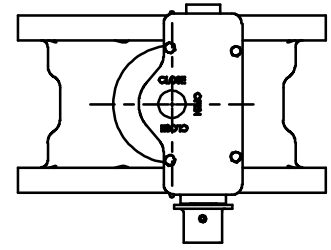


6"-506 WITH TNA OPERATOR AND 2" NUT



◆ OPTIONAL CONFIGURATION



NOTES:

1. 150 PSIG MAXIMUM WORKING PRESSURE.
2. THIS VALVE CONFORMS TO AWWA C504.
3. MECHANICAL JOINT CONNECTION PER ANSI C111 AND AWWA A21.11.
4. ASTM A126 GL. B CAST IRON BODY.
ASTM A351-CF8M TYPE 316 STAINLESS DISC.
ASTM A276 TYPE 304 STAINLESS STEEL SHAFT.
5. VALVE IS DESIGNED FOR BI-DIRECTIONAL FLOW.
6. VALVE MAY BE INSTALLED WITH SHAFT IN EITHER HORIZONTAL OR VERTICAL POSITION.
7. ALL DIMENSIONS ARE IN INCHES.
8. VALVE EXTERIOR WILL BE COATED WITH 8 MILS EPOXY.

K-FLO		
BUTTERFLY VALVES BY CRISPIN VALVES		
6"-506 SERIES VALVE TNA OPERATOR		

REDRAWN:		SIZE	DWG. NO.	REV
CHECKED:		C	06-506 TNA	0
DRAWN: C. GEARY	02/13/05			