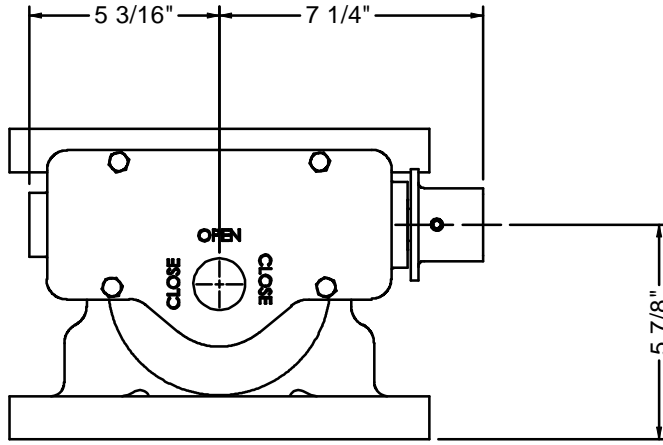
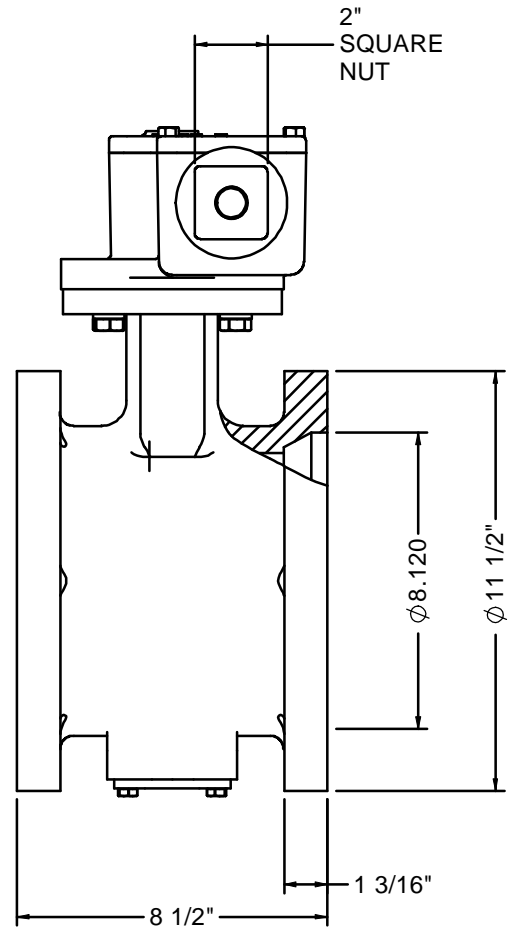
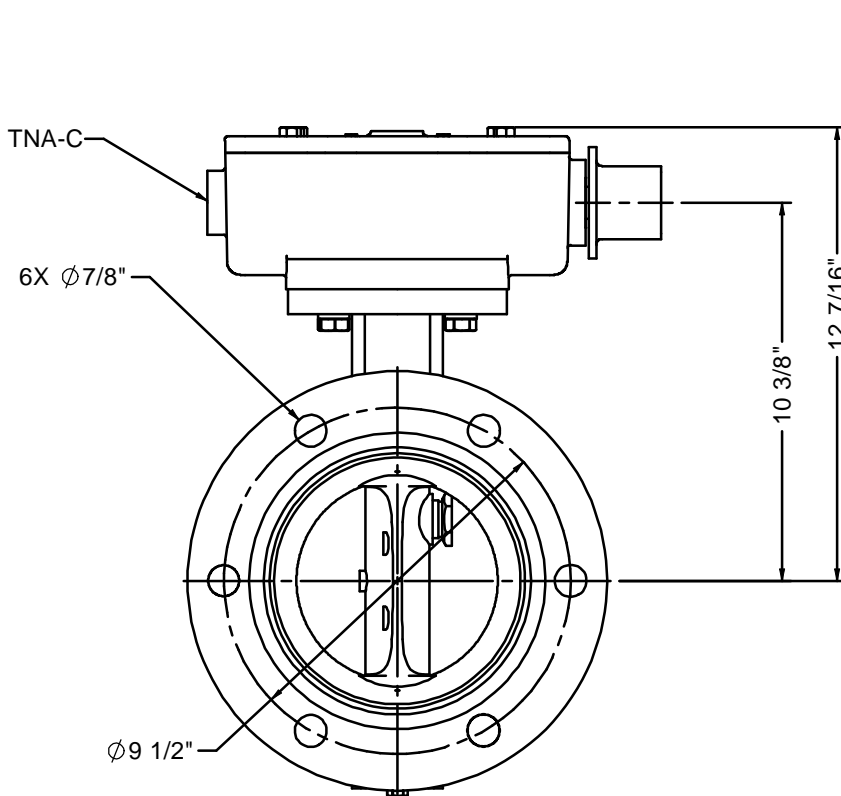
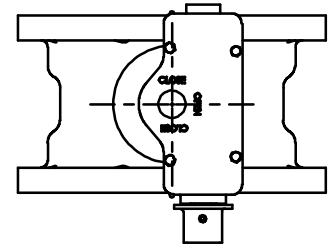


6"-506HP WITH TNA OPERATOR AND 2" NUT



◆ OPTIONAL CONFIGURATION



NOTES:

1. 250 PSIG MAXIMUM WORKING PRESSURE.
2. THIS VALVE CONFORMS TO AWWA C504.
3. MECHANICAL JOINT CONNECTION PER ANSI C111 AND AWWA A21.11.
4. ASTM A536 GR. 65-45-12 DUCTILE IRON BODY.
ASTM A351-CF8M TYPE 316 STAINLESS DISC.
ASTM A564 TYPE 630 (17-4PH) STAINLESS STEEL SHAFT.
5. VALVE IS DESIGNED FOR BI-DIRECTIONAL FLOW.
6. VALVE MAY BE INSTALLED WITH SHAFT IN EITHER HORIZONTAL OR VERTICAL POSITION.
7. ALL DIMENSIONS ARE IN INCHES.
8. VALVE WILL BE COATED WITH 8 MILS EPOXY.

K-FLO		
BUTTERFLY VALVES BY CRISPIN VALVES		
6"-506HP SERIES VALVE TNA OPERATOR		

REDRAWN:		SIZE	DWG. NO.	REV
CHECKED:		C	06-506HP TNA	0
DRAWN: C. GEARY	02/13/05			