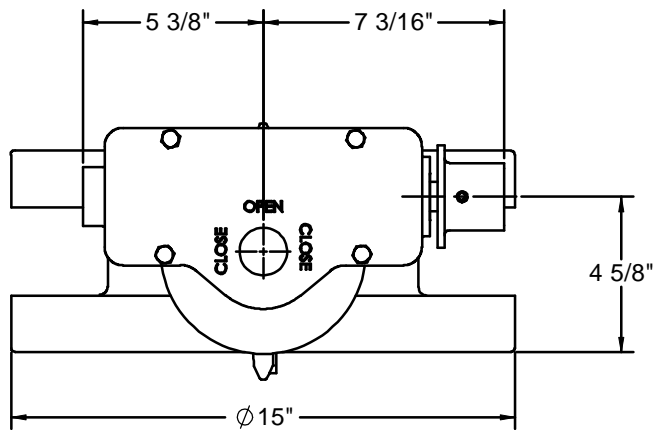
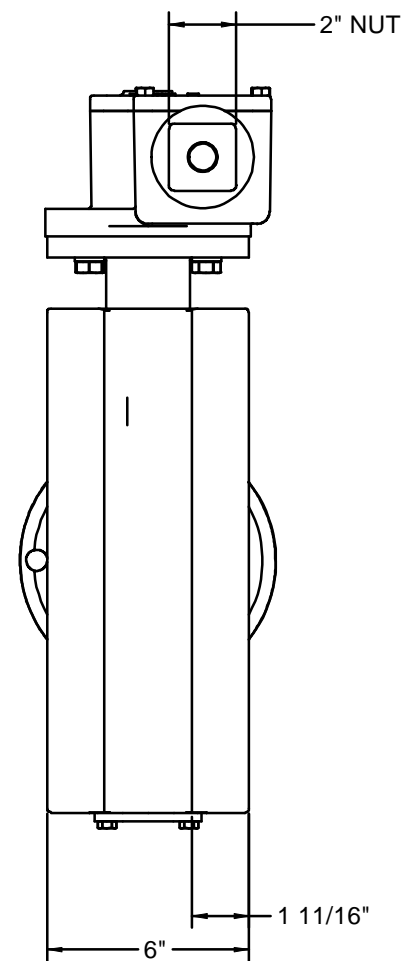
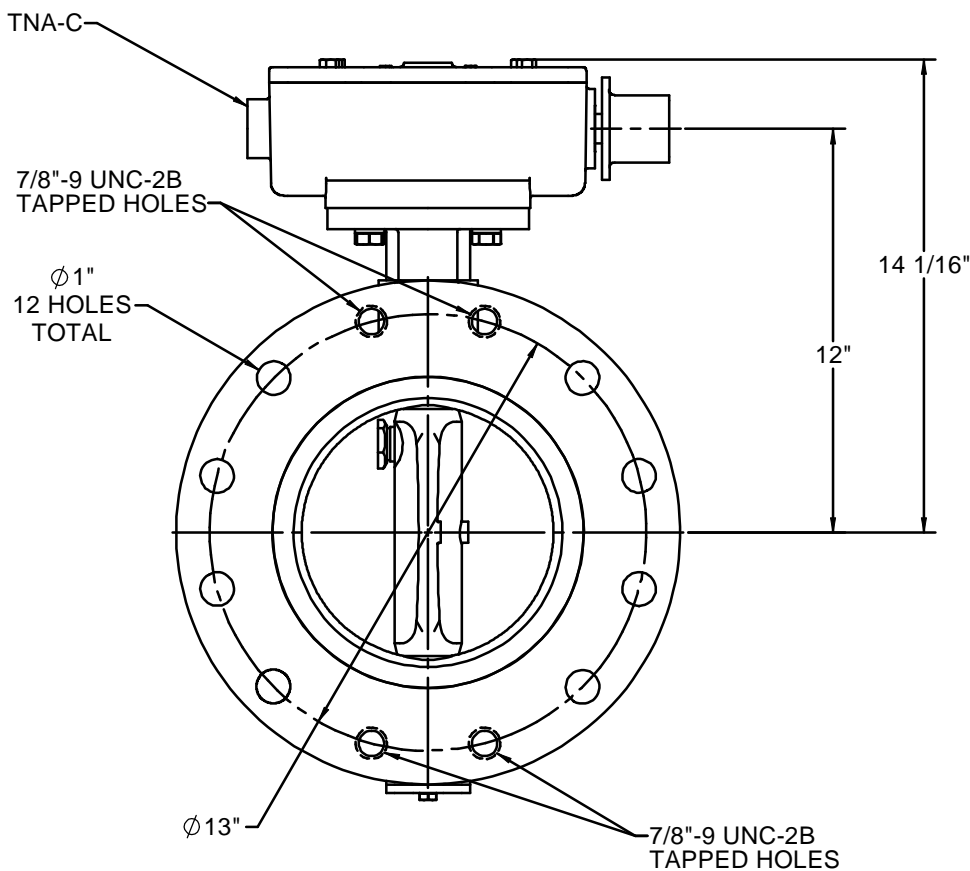
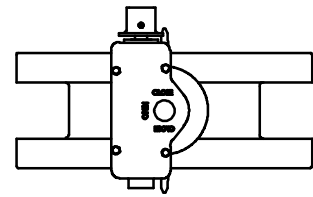


# 8"-507 WITH TNA OPERATOR AND 2" NUT



◆ OPTIONAL CONFIGURATION



**NOTES:**

1. 250 PSIG MAXIMUM WORKING PRESSURE.
2. THIS VALVE CONFORMS TO AWWA C504.
3. FLANGES AND DRILLING PER ANSI 16.1 CLASS 250.
4. ASTM A536 GR. 65-45-12 DUCTILE IRON BODY.  
ASTM A351-CF8M TYPE 316 STAINLESS DISC.  
ASTM A564 TYPE 630 (17-4PH) STAINLESS STEEL SHAFT.
5. VALVE IS DESIGNED FOR BI-DIRECTIONAL FLOW.
6. VALVE MAY BE INSTALLED WITH SHAFT IN EITHER HORIZONTAL OR VERTICAL POSITION.
7. ALL DIMENSIONS ARE IN INCHES.
8. VALVE EXTERIOR WILL BE COATED WITH 8 MILS EPOXY.

**K-FLO**  
BUTTERFLY VALVES  
BY  
CRISPIN VALVES

8"-507 SERIES  
BUTTERFLY VALVE  
TNA OPERATOR

REDRAWN:		SIZE	C	REV	0
CHECKED:					
DRAWN: C. GEARY	02/24/09			08-507 TNA	