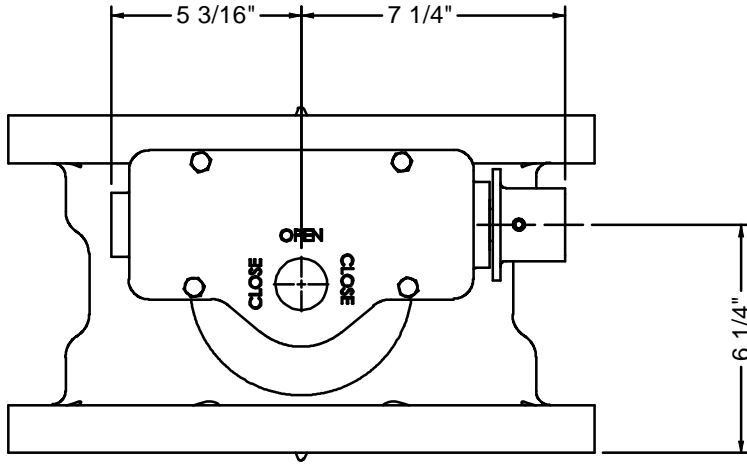
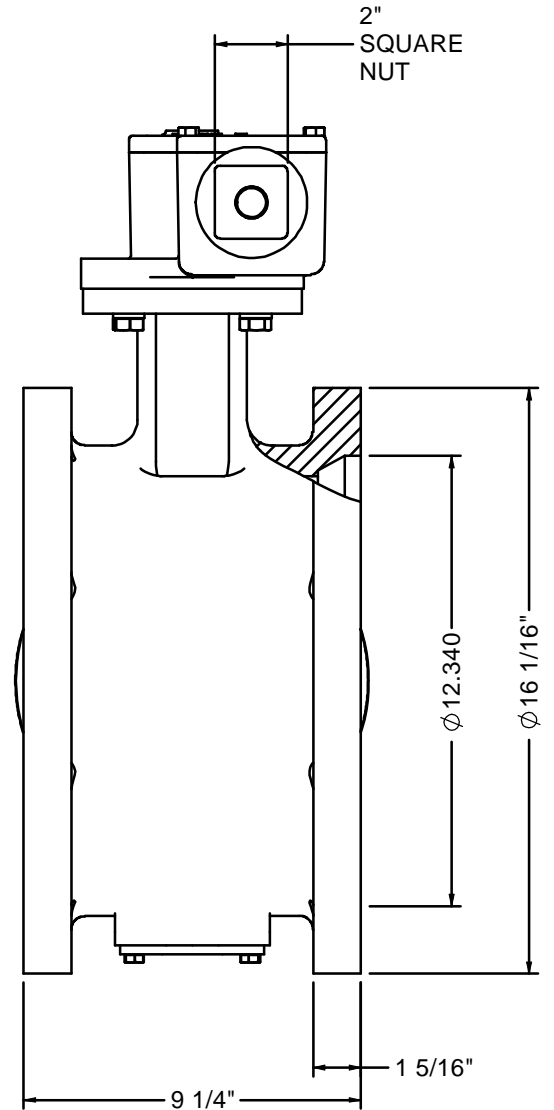
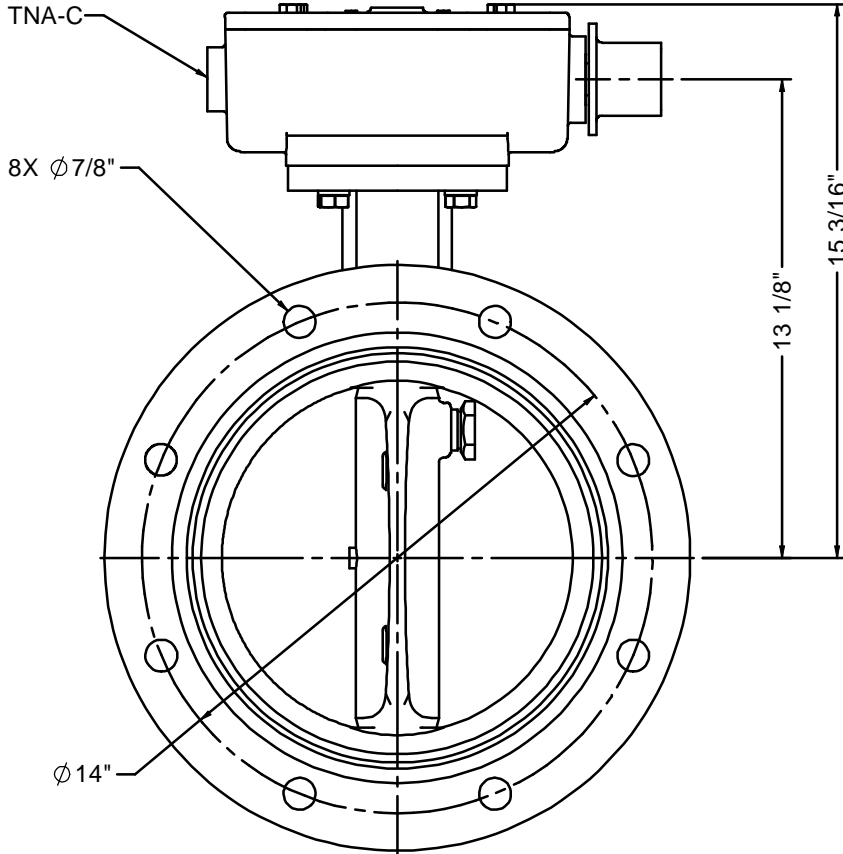
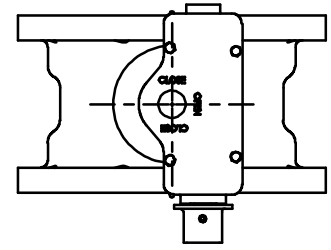


10"-506 WITH TNA OPERATOR AND 2" NUT



◆ OPTIONAL CONFIGURATION



NOTES:

1. 150 PSIG MAXIMUM WORKING PRESSURE.
2. THIS VALVE CONFORMS TO AWWA C504.
3. MECHANICAL JOINT CONNECTION PER ANSI C111 AND AWWA A21.11.
4. ASTM A126 GL. B CAST IRON BODY.
ASTM A536 GR. 65-45-12 DUCTILE IRON DISC WITH 316 SST EDGE.
ASTM A276 TYPE 304 STAINLESS STEEL SHAFT.
5. VALVE IS DESIGNED FOR BI-DIRECTIONAL FLOW.
6. VALVE MAY BE INSTALLED WITH SHAFT IN EITHER HORIZONTAL OR VERTICAL POSITION.
7. ALL DIMENSIONS ARE IN INCHES.
8. VALVE DISC AND EXTERIOR WILL BE COATED WITH 8 MILS EPOXY.

| | | |
|--|--|--|
| K-FLO | | |
| BUTTERFLY VALVES BY CRISPIN VALVES | | |
| 10"-506 SERIES VALVE TNA OPERATOR | | |

| | | | | |
|-----------------|----------|----------|------------|-----|
| REDRAWN: | | SIZE | DWG. NO. | REV |
| CHECKED: | | C | 10-506 TNA | 0 |
| DRAWN: C. GEARY | 02/13/05 | | | |