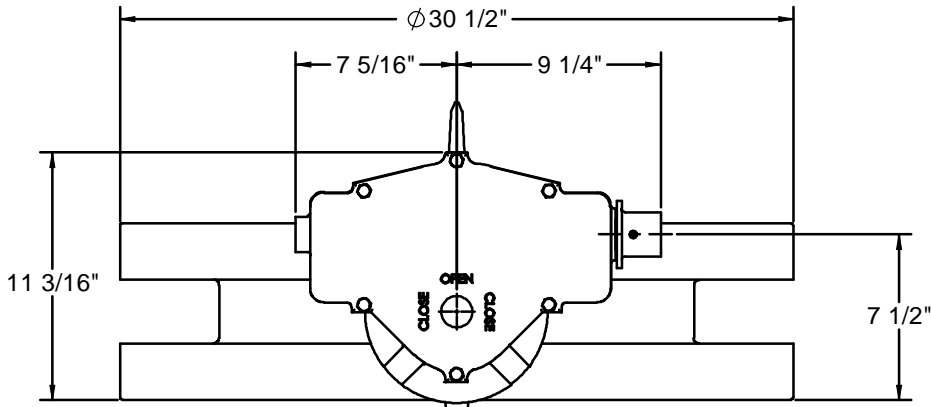
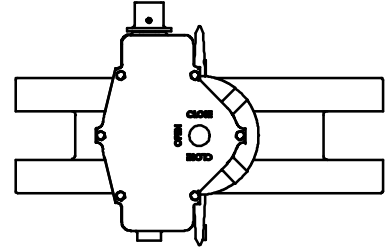


# 20"-507 WITH TNA OPERATOR AND 2" NUT



◆ OPTIONAL CONFIGURATION



TNA-D

1-1/4"-7 UNC-2B  
TAPPED HOLES

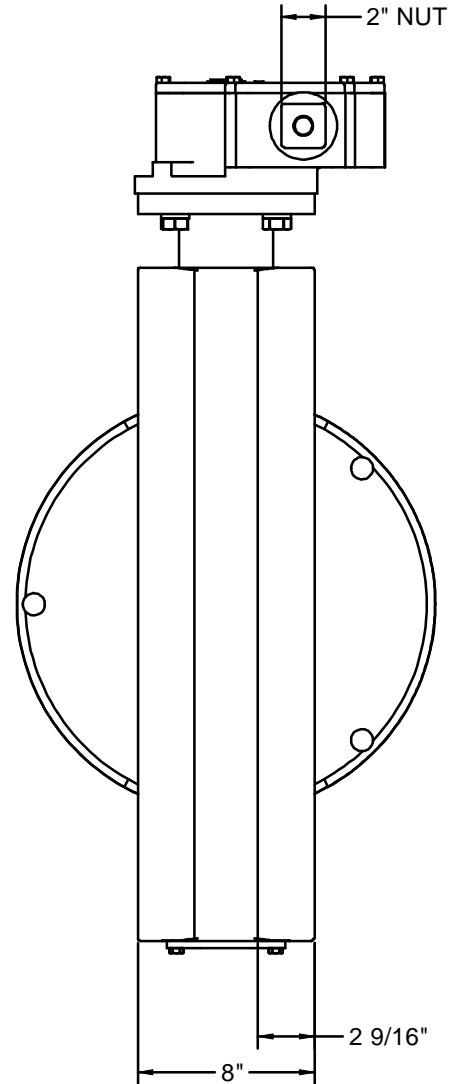
Ø 1 3/8"  
24 HOLES  
TOTAL

23 7/8"

21 11/16"

Ø 27"

1-1/4"-7 UNC-2B  
TAPPED HOLES



**NOTES:**

1. 250 PSIG MAXIMUM WORKING PRESSURE.
2. THIS VALVE CONFORMS TO AWWA C504.
3. FLANGES AND DRILLING PER ANSI 16.1 CLASS 250.
4. ASTM A536 GR. 65-45-12 DUCTILE IRON BODY.  
ASTM A536 GR. 65-45-12 DUCTILE IRON DISC WITH 316 SST EDGE.  
ASTM A564 TYPE 630 (17-4PH) STAINLESS STEEL SHAFT.
5. VALVE IS DESIGNED FOR BI-DIRECTIONAL FLOW.
6. VALVE MAY BE INSTALLED WITH SHAFT IN EITHER HORIZONTAL OR VERTICAL POSITION.
7. ALL DIMENSIONS ARE IN INCHES.
8. VALVE DISC AND EXTERIOR WILL BE COATED WITH 8 MILS EPOXY.

**K-FLO**  
BUTTERFLY VALVES  
BY  
CRISPIN VALVES  
20"-507 SERIES  
BUTTERFLY VALVE  
TNA OPERATOR

REDRAWN:		SIZE	C	REV	0
CHECKED:					
DRAWN: C. GEARY	02/24/05			20-507 TNA	