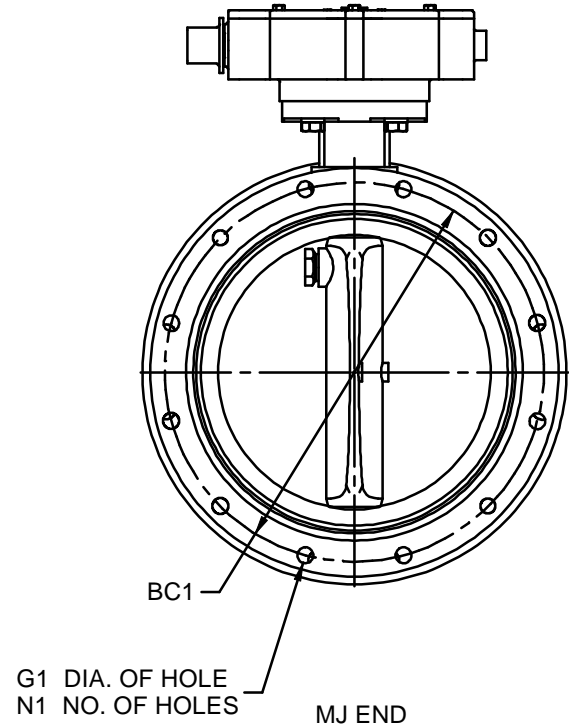
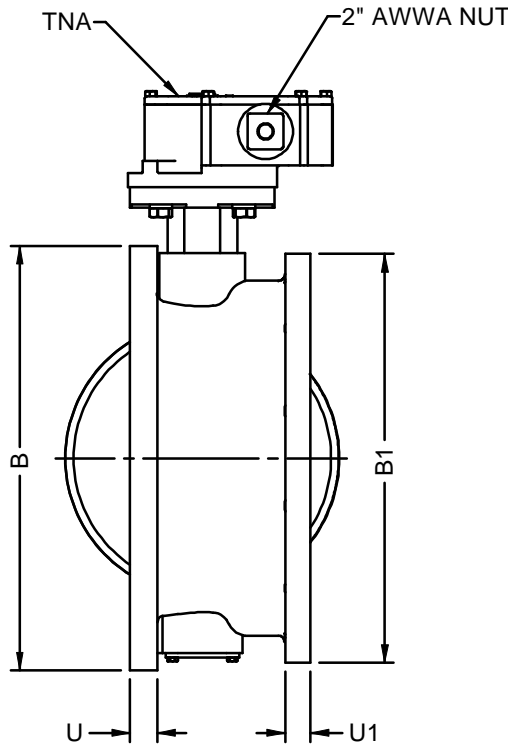
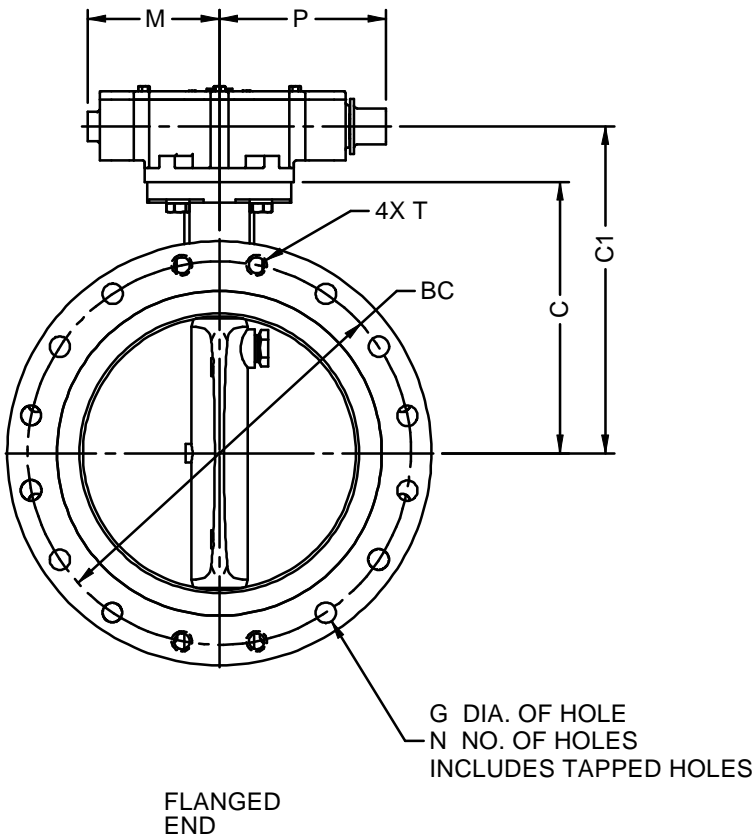


VALVE SIZE	B	C	C1	D	D1	D2	U	BC	G	N	T	B1	U1	BC1	G1	N1	TNA	M	P
6"	11.000	8.063	10.438	6.750	2.500	4.125	1.000	9.500	0.875	8	NA	11.500	1.125	9.500	0.875	6	TNA-C	5.188	7.250
8"	13.500	9.500	11.875	7.312	3.000	4.625	1.125	11.750	0.875	8	NA	13.750	1.125	11.750	0.875	6	TNA-C	5.188	7.250
10"	16.000	10.813	13.188	8.625	4.000	5.625	1.188	14.125	1.000	12	NA	16.063	1.375	14.000	0.875	8	TNA-C	5.188	7.250
12"	19.000	12.250	14.625	8.625	4.000	5.625	1.250	17.000	1.000	12	NA	18.313	1.500	16.250	0.875	8	TNA-C	5.188	7.250
16"	23.500	15.125	18.063	10.000	4.000	7.500	1.500	21.250	1.125	16	1.000"-8	22.938	2.000	21.000	0.875	12	TNA-D	7.313	9.250
18"	25.000	16.500	19.563	10.125	4.000	7.500	1.625	22.750	1.250	16	1.125"-7	25.250	2.250	23.250	0.875	12	TNA-D	7.313	9.250
20"	27.500	18.000	21.062	10.250	4.000	7.500	1.750	25.000	1.250	20	1.125"-7	27.438	2.500	25.500	0.875	14	TNA-D	7.313	9.250



NOTE:  
OTHER SIZES AVAILABLE UPON REQUEST

REV	DESCRIPTION	DATE	APPROVED	DRAWN	DATE	CHECKED	DATE
				C. GEARY	10/11/12		

DO NOT SCALE DRAWING		DIMENSIONS ARE IN INCHES UNLESS OTHERWISE SPECIFIED:	
SIZE	DWG. NO.	REV	
C	509 TNA	0	
SCALE: 0.188:1		SHEET 1 OF 1	

**K-FLO**  
BUTTERFLY VALVES  
BY  
**Crispin Valves**

6" TO 20"-509 BFV  
FLANGED X MJ  
TNA OPERATOR