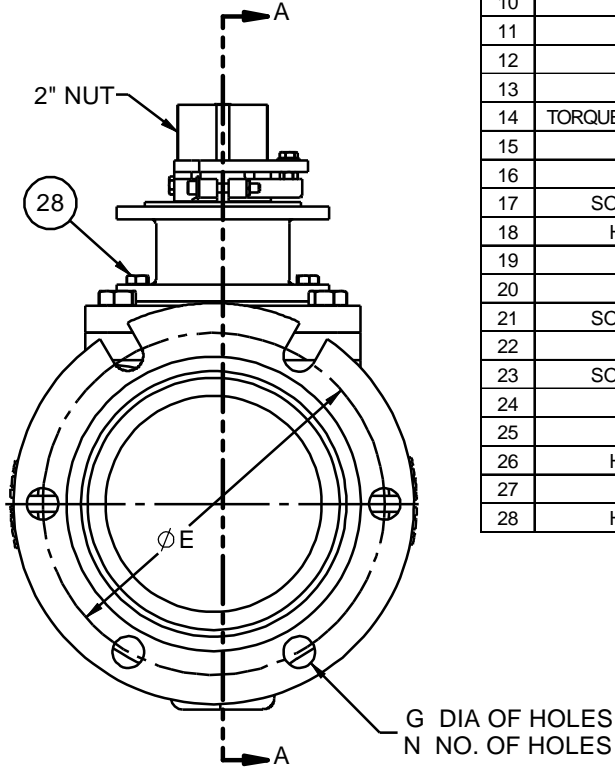
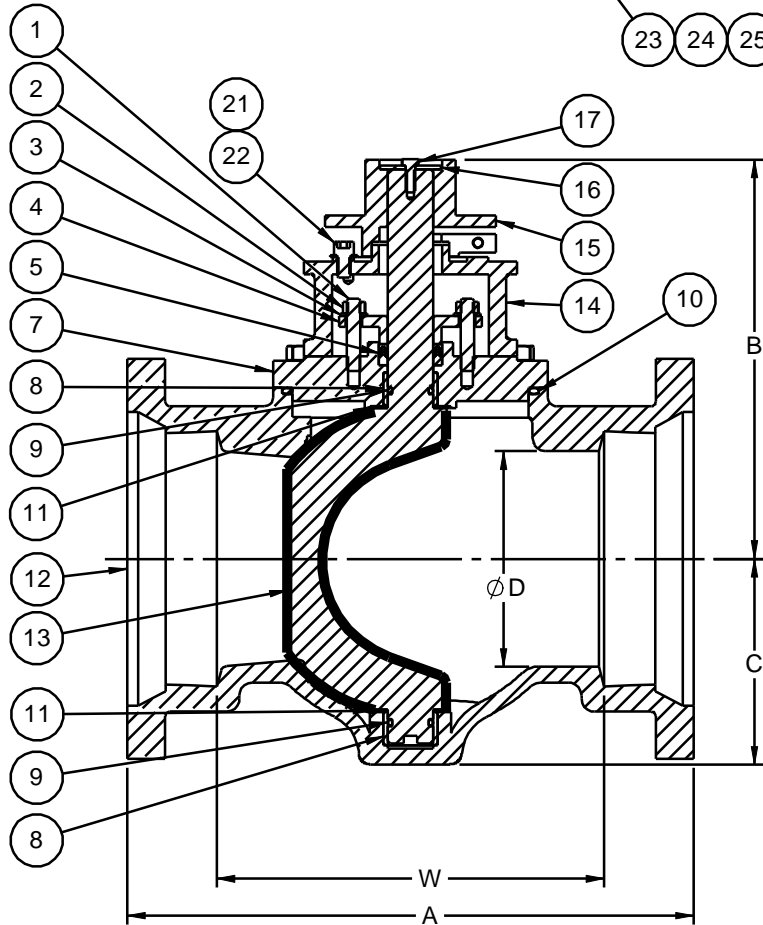
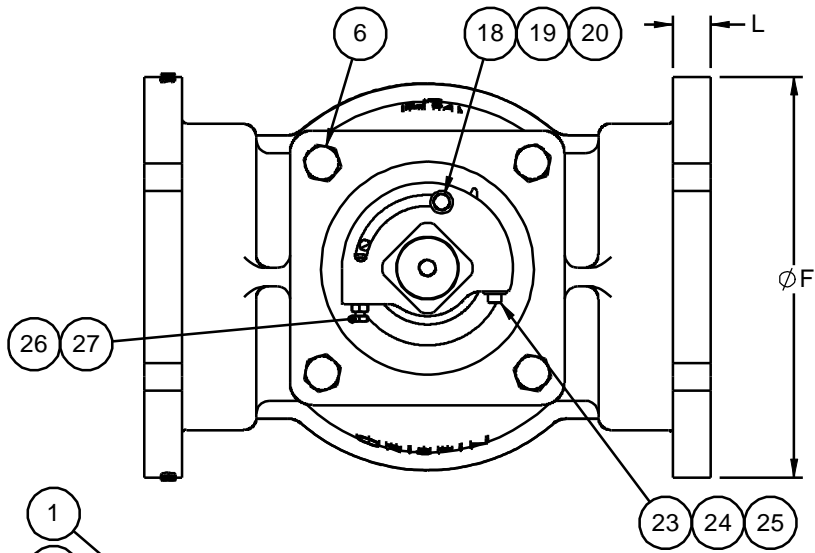


VALVE SIZE	A	B	C	D	E	F	G	N	L	W
3	11.50	8.58	3.50	3	6.19	7.69	0.75	4	0.94	6.18
4	14.25	9.54	4.89	4	7.50	9.00	0.88	4	1.00	9.25
6	15.75	11.08	5.71	6	9.50	11.13	0.88	6	1.06	10.75
8	17.37	13.72	7.64	8	11.75	13.38	0.88	6	1.13	12.38



ITEM	DESCRIPTION	MATERIAL
01	GLAND STUD	STAINLESS STEEL
02	HEX NUT	STAINLESS STEEL
03	FLAT WASHER	STAINLESS STEEL
04	GLAND	ASTM A126 CL.B
05	V-RING SET	NBR
06	HEX HEAD CAPSCREW	STAINLESS STEEL
07	COVER	ASTM A126 CL.B
08	BEARING	SST, SINTERED
09	O-RING	NBR
10	O-RING	NBR
11	THRUST WASHER	PTFE
12	BODY	ASTM A126 CL.B
13	PLUG MOLDED	A536 GR.65-45-12+NBR
14	TORQUE COLLAR ADAPTER (BURIED)	ASTM A126 CL.B
15	TORQUE COLLAR	ASTM A536 GR. 65-45-12
16	FLAT WASHER	STAINLESS STEEL
17	SOCKET HEAD CAPSCREW	STAINLESS STEEL
18	HEX HEAD CAPSCREW	STAINLESS STEEL
19	HEX NUT	STAINLESS STEEL
20	FLAT WASHER	STAINLESS STEEL
21	SOCKET HEAD CAPSCREW	STAINLESS STEEL
22	LOCK WASHER	STAINLESS STEEL
23	SOCKET HEAD CAPSCREW	STAINLESS STEEL
24	HEX NUT	STAINLESS STEEL
25	FLAT WASHER	STAINLESS STEEL
26	HEX HEAD CAPSCREW	STAINLESS STEEL
27	HEX NUT	STAINLESS STEEL
28	HEX HEAD CAPSCREW	STAINLESS STEEL

SECTION A-A

K-FLO
by
Crispin Valves

3" TO 8" PLUG VALVE
MECHANICAL JOINT
BURIED SERVICE, 2" NUT

DO NOT SCALE DRAWING
DIMENSIONS ARE IN INCHES
UNLESS OTHERWISE SPECIFIED:

SIZE DWG. NO. REV
C 9080173 0

SCALE: 0.375:1 SHEET 1 OF 1

REV	DESCRIPTION	DATE	APPROVED

DRAWN	DATE
CHECKED	
DRAWN	07/20/12
C. GEARY	