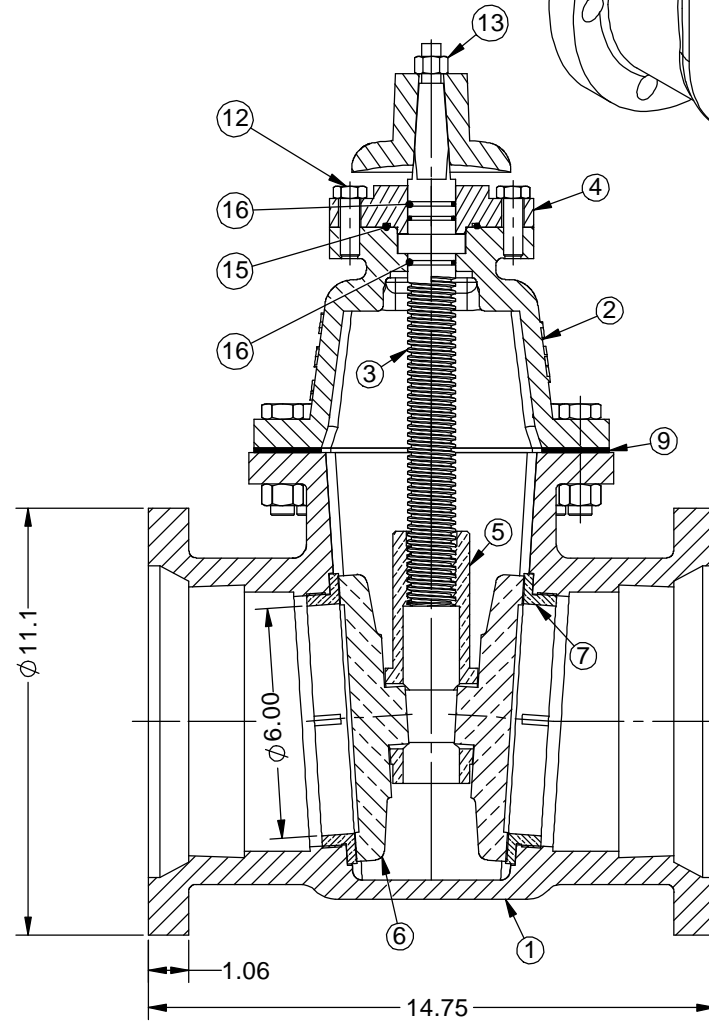
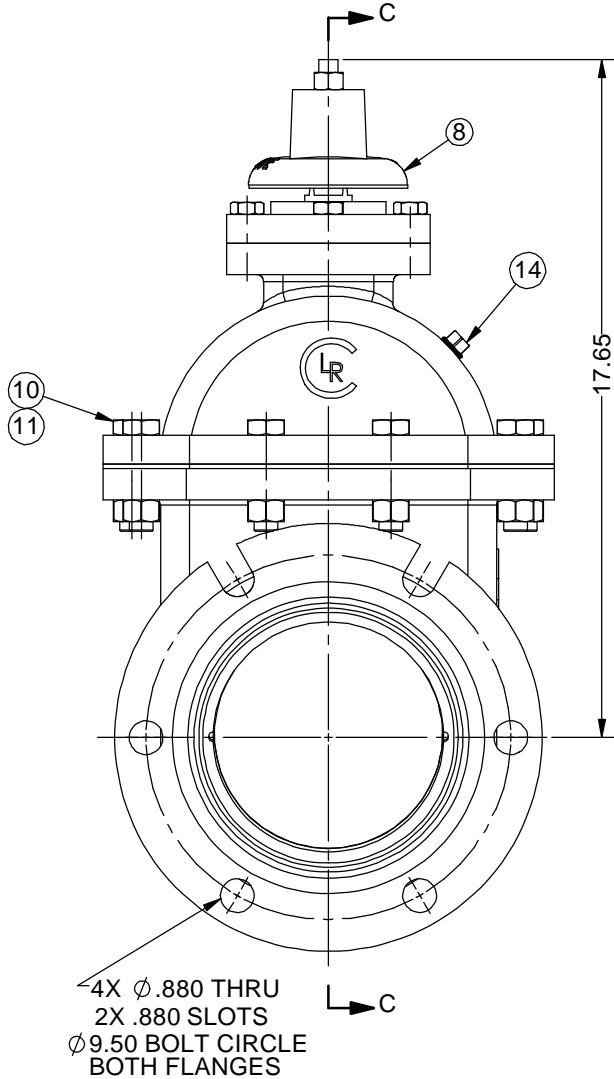
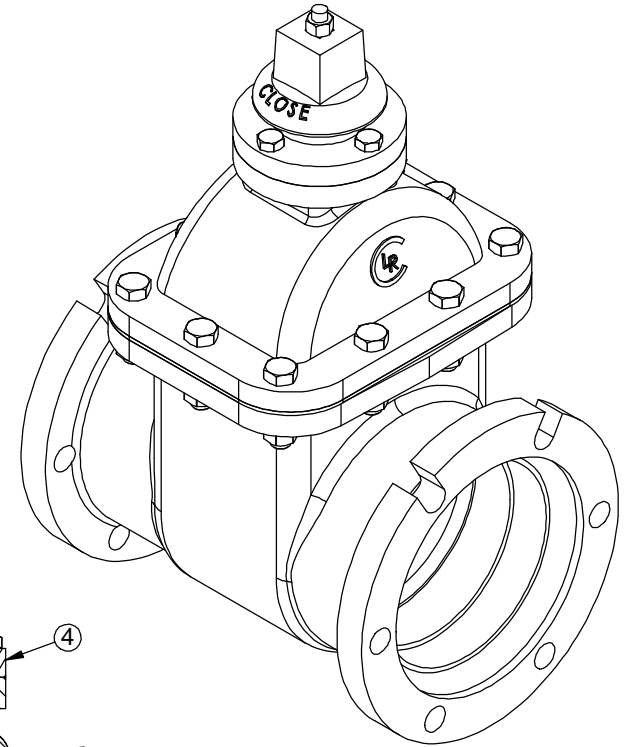


PARTS LIST				
KEY	PART No.	DESCRIPTION	MATERIAL	QTY.
1	300-61-1MJ	BODY	D.I., A536 Gr. 65-45-12	1
2	300-61-2	BONNET	D.I., A536 Gr. 65-45-12	1
3	300-6-4-SCW	STEM	AISI 304 SS	1
4	300-6-5	BONNET CAP	D.I., A536 Gr. 65-45-12	1
5	300-6-6-SCW	WEDGE, CLOSE CLOCKWISE	AL BRZ, B148-954	1
6	300-6-8	DISC	AL BRZ, B148-954	2
7	300-6-9	SEAT	AL BRZ, B505-C95400	2
8	300-6-10-SCW	WRENCH NUT	D.I., A536 Gr. 65-45-12	1
9	300-6-11	BONNET GASKET	GARLOCK STYLE 19 CLOTH INSERTED RUBBER	1
10	HHCS.625-11X2.5	HHCS, 5/8-11 UNC x 2.5" LG.	304 SS	10
11	FHN.625-11	STD HEX HD NUT, 5/8"-11 UNC	AISI 304	10
12	HHCS.5-13X1.5	HHCS, 1/2-13 UNC x 1.5" LG	304 SS	4
13	FHN.5-13	STD HEX HD NUT, 1/2"-13 UNC	AISI 304	1
14	PLG.375	PIPE PLUG, HEX HEAD, 3/8" NPTF	316SS	1
15	AS568A-228	O-RING SIZE -228	BUNA N DUROMETER 70	1
16	AS568A-121	O-RING SIZE -121	BUNA N DUROMETER 70	3



REVISIONS			
REV	DESCRIPTION	DATE	APP'D

DRAWN	NAME	DATE	Ludlow-Rensselaer Gate Valves by Crispin Valves		
CHECKED	BBG	11/21/16	6" AWWA C111 MJ, GV300 GATE VALVE, w/ 2" SQ. NUT, CLOSE CLOCKWISE		
DIMENSIONS ARE IN INCHES DO NOT SCALE DRAWING			SIZE	DWG. NO.	REV
FILE LOCATION: \\S2\data\k\k File_Data\GateValve\300\			C	9100746	0
FILE NAME: 91007460			SCALE: 0.4:1	WT: 178.00 LB	SHEET 1 OF 1