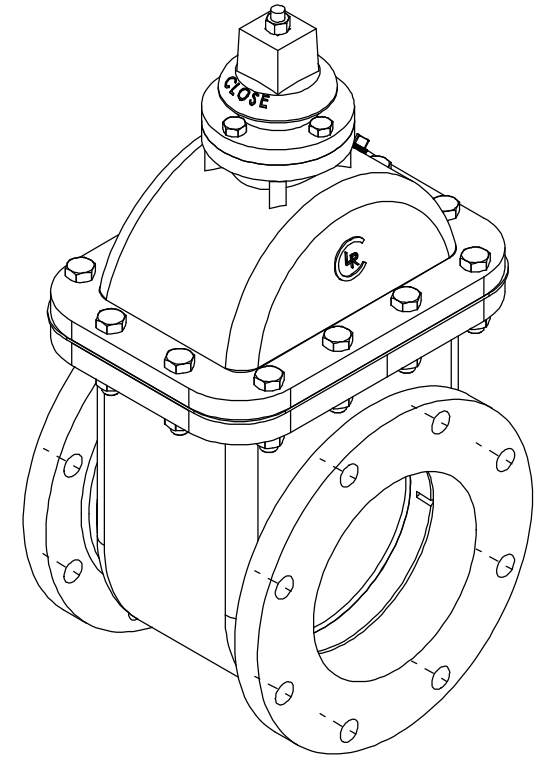
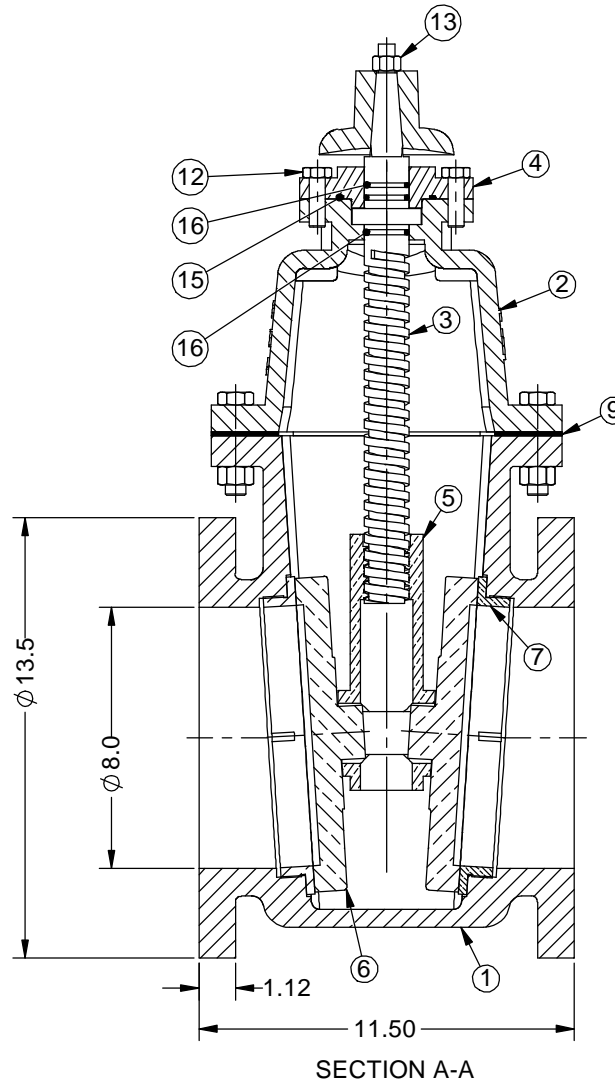
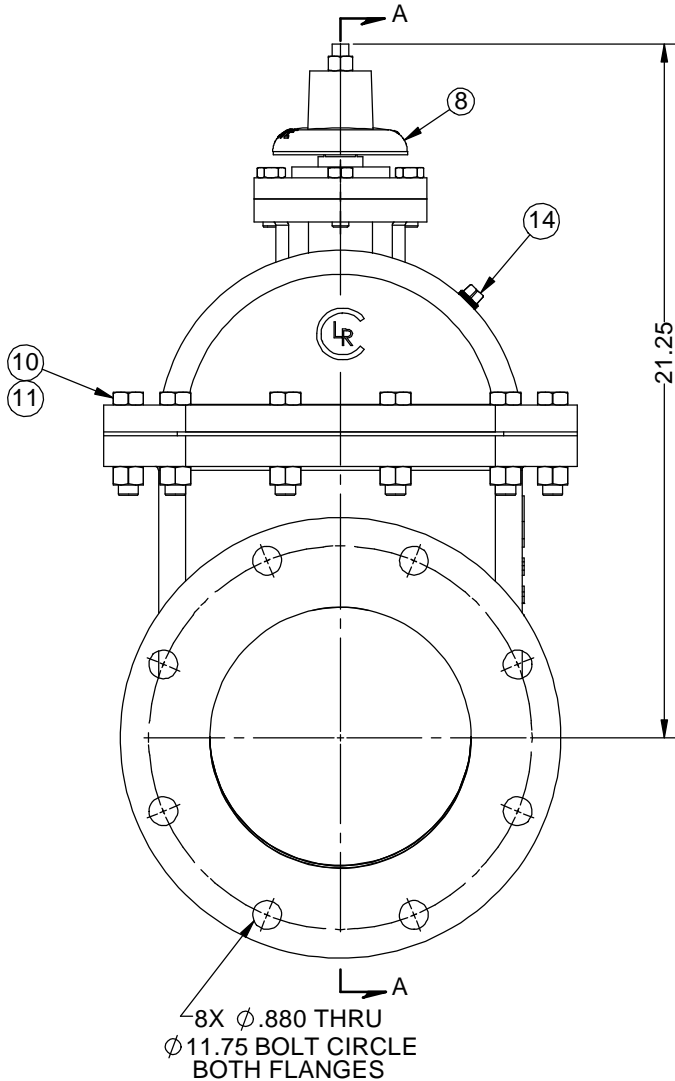


KEY	PART No.	DESCRIPTION	MATERIAL	QTY.
1	300-81-1F	BODY	D.I., A536 Gr. 65-45-12	1
2	300-81-2	BONNET	D.I., A536 Gr. 65-45-12	1
3	300-8-4-SCW	STEM	AISI 304 SS	1
4	300-8-5	BONNET CAP	D.I., A536 Gr. 65-45-12	1
5	300-8-6-SCW	WEDGE, CLOSE CLOCKWISE	AL BRZ, B148-954	1
6	300-8-8	DISC	AL BRZ, B148-954	2
7	300-8-9	SEAT	AL BRZ, B505-C95400	2
8	300-6-10-SCW	WRENCH NUT	D.I., A536 Gr. 65-45-12	1
9	300-8-11	BONNET GASKET	GARLOCK STYLE 19	1
10	HHCS.625-11X2.75	HHCS, 5/8-11 UNC x 2.75" LG.	304 SS	12
11	FHN.625-11	STD HEX HD NUT, 5/8"-11 UNC	304 SS	12
12	HHCS.5-13X1.5	HHCS, 1/2-13 UNC x 1.5" LG	304 SS	4
13	FHN.5-13	STD HEX HD NUT, 1/2"-13 UNC	304 SS	1
14	PLG.375	PLUG, HEX HEAD, 3/8" NPTF	CARBON STEEL	1
15	AS568A-232	O-RING SIZE -232	BUNA N DUROMETER 70	1
16	AS568A-216	O-RING SIZE -216	BUNA N DUROMETER 70	3



NOTES:

- 250 PSIG MAX. WORKING PRESSURE
- 500 PSIG HYDROSTATIC TEST PRESSURE
- ANSI B16.42 FLAT FACE FLANGED ENDS.
- APPROXIMATE WEIGHT: 261 LBS.
- VALVE WILL BE COATED INTERNALLY & EXTERNALLY WITH TNEMEC 141 EPOXY, 8-10 MILS DFT.
- MANUFACTURED IN ACCORDANCE WITH ANSI/AWWA C500, LATEST REVISION.
- Assy. P/N: LR0862123111129JOCF

DRAWN		NAME	DATE	Ludlow-Rensselaer Gate Valves by Crispin Valves	
CHECKED		hWg	05/15/17	8" CL. 150 FF, Fig. 304 Gate Valve, w/ 2" AWWA Sq. Nut, Close Clockwise	
DIMENSIONS ARE IN INCHES DO NOT SCALE DRAWING				SIZE C	REV 0
FILE LOCATION: N:\GateValves\300\				DWG. NO. 9100756	WT: 261 LB
REV				SCALE: 0.34:1	SHEET 1 OF 1
REVISIONS				DATE	APP'D
REV	DESCRIPTION	DATE	APP'D	FILE NAME: 9100756	