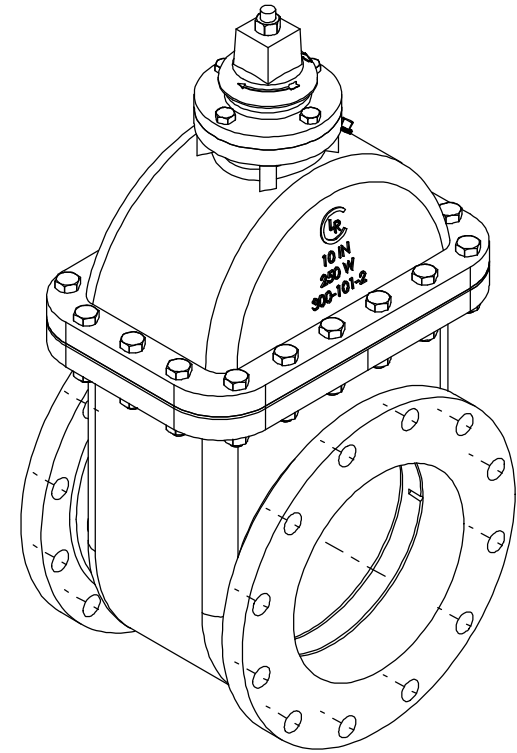
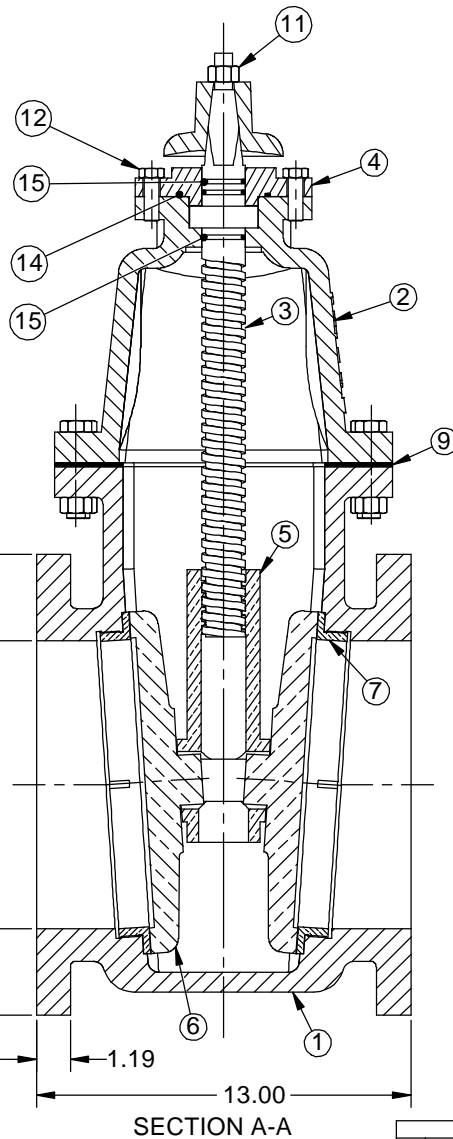
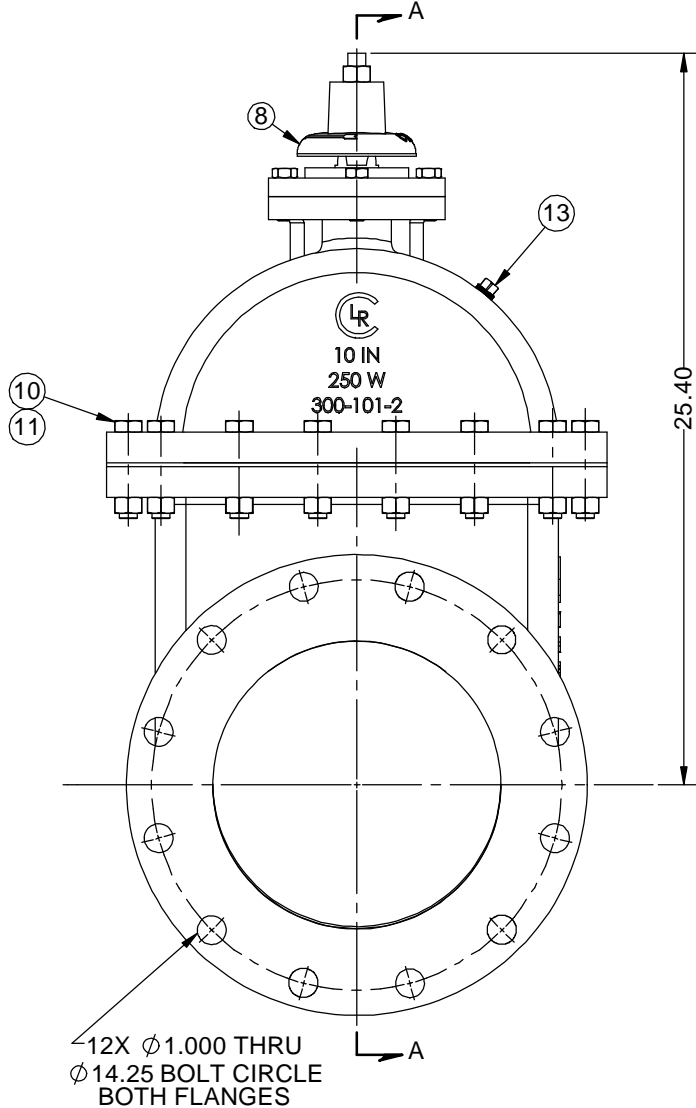


PARTS LIST				
KEY	PART No.	DESCRIPTION	MATERIAL	QTY.
1	300-101-1F	BODY	D.I., A536 Gr. 65-45-12	1
2	300-101-2	BONNET	D.I., A536 Gr. 65-45-12	1
3	300-10-4-SCW	STEM	AISI 304 SS	1
4	300-12-5	BONNET CAP	D.I., A536 Gr. 65-45-12	1
5	300-10-6-SCW	WEDGE	AL BRZ, B148-954	1
6	300-10-8	DISC	AL BRZ, B148-954	2
7	300-10-9	SEAT	AL BRZ, B505-C95400	2
8	300-12-10-SCW	WRENCH NUT	A536 Gr. 65-45-12	1
9	300-10-11	BONNET GASKET	GARLOCK STYLE 19	1
10	HHCS.625-11X3	HHCS, 5/8-11 UNC x 3.0" LG.	304 SS	18
11	FHN.625-11	STD HEX HD NUT, 5/8"-11 UNC	304 SS	19
12	HHCS.5-13X1.5	HHCS, 1/2-13 UNC x 1.5" LG	304 SS	4
13	PLG.375	PIPE PLUG, HEX HEAD, 3/8" NPTF	BRONZE	1
14	AS568A-234	O-RING SIZE -234	BUNA N DUROMETER 70	1
15	AS568A-218	O-RING SIZE -218	BUNA N DUROMETER 70	3



NOTES:

- 250 PSIG MAX. WORKING PRESSURE
- 500 PSIG HYDROSTATIC TEST PRESSURE
- ANSI B16.42 FLAT FACE FLANGED ENDS.
- APPROXIMATE WEIGHT: 413 LBS.
- VALVE WILL BE COATED INTERNALLY & EXTERNALLY WITH TNEMEC 141 EPOXY, 8-10 MILS DFT.
- MANUFACTURED IN ACCORDANCE WITH ANSI/AWWA C500, LATEST REVISION.

REVISIONS			
REV	DESCRIPTION	DATE	APP'D

DRAWN	NAME	DATE	Ludlow-Rensselaer Gate Valves by Crispin Valves	
CHECKED	BBG	05/16/17		
DIMENSIONS ARE IN INCHES DO NOT SCALE DRAWING			SIZE	REV
FILE LOCATION: N:\GateValve\300\			C	0
DWG. NO. 9100758			SCALE: 0.3:1	WT: 409 LB
FILE NAME: 9100758			SHEET 1 OF 1	