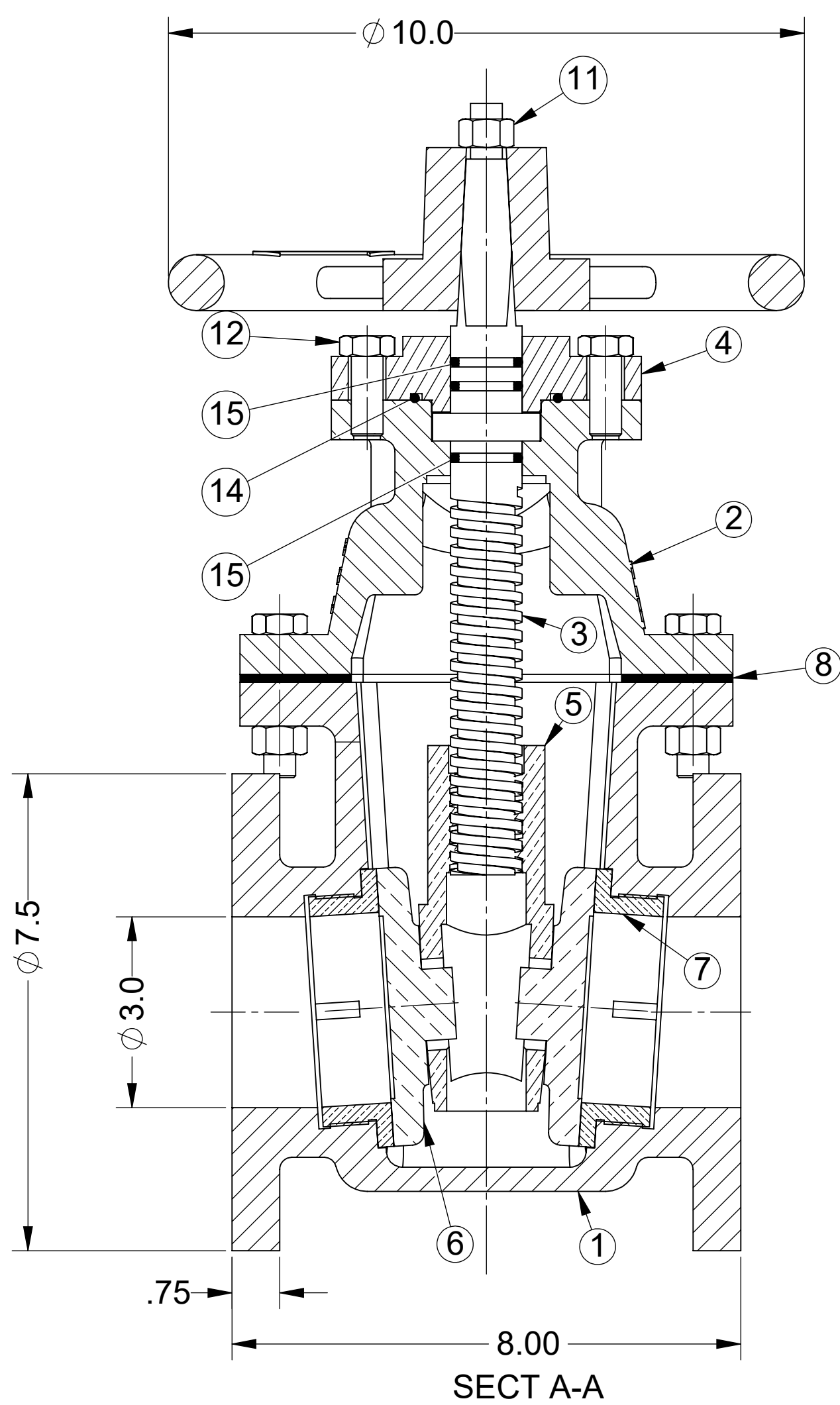
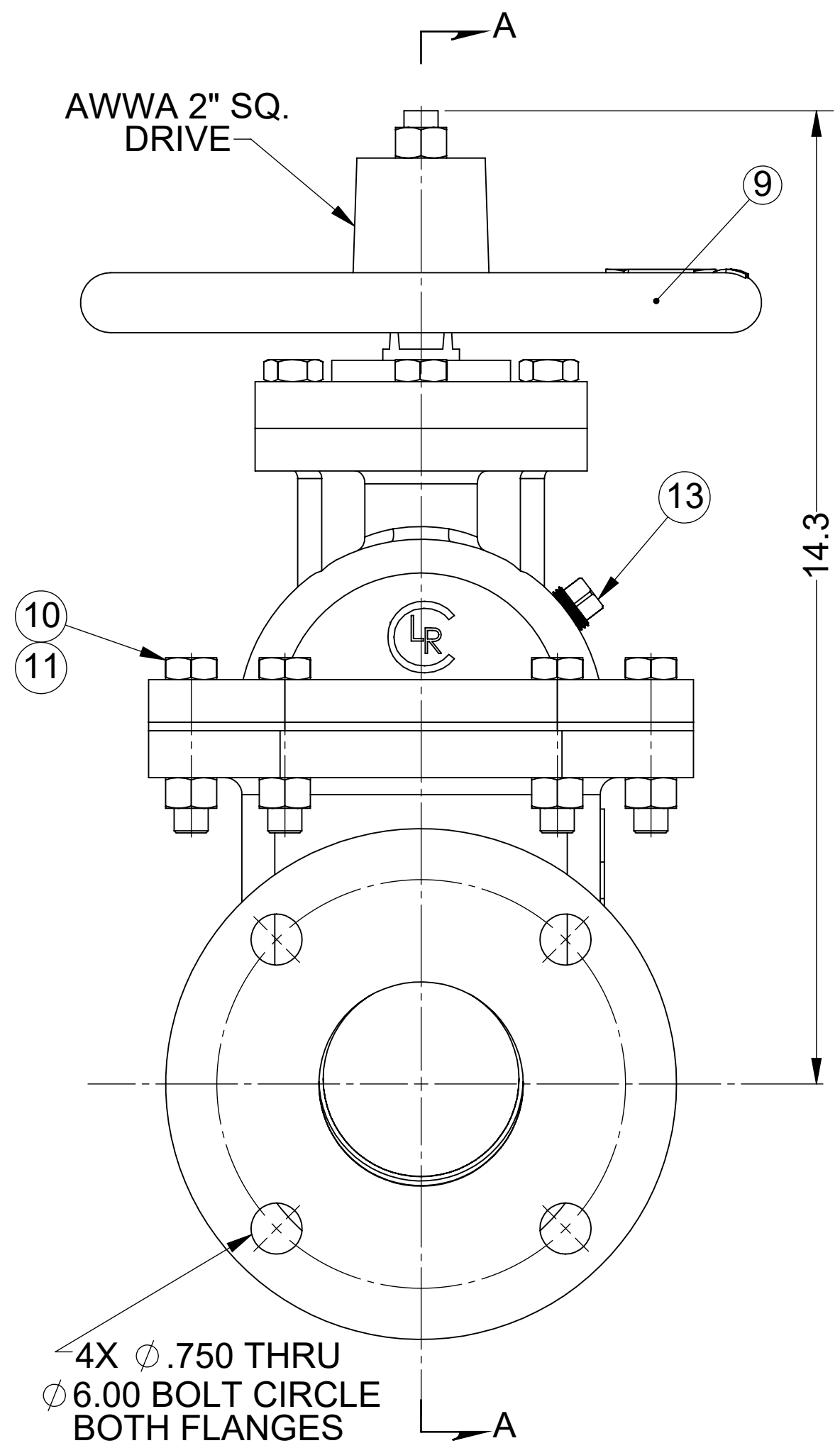
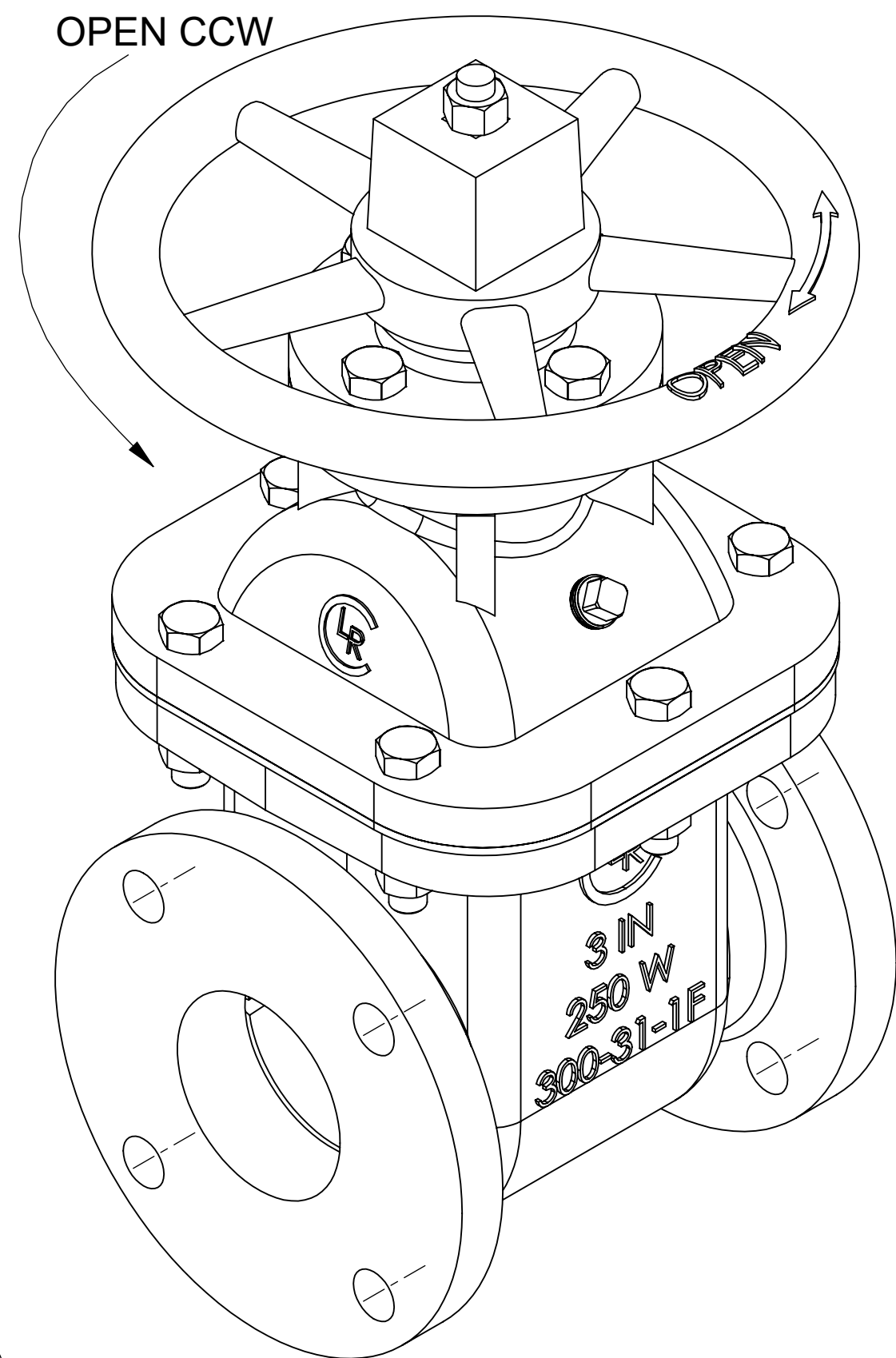


KEY	PART No.	DESCRIPTION	MATERIAL	QTY.
1	300-31-1F	BODY	D.I., A536 Gr. 65-45-12	1
2	300-31-2	BONNET	D.I., A536 Gr. 65-45-12	1
3	300-3-4-SCW	STEM	A276 TYPE 304 SS	1
4	300-4-5	BONNET CAP	D.I., A536 Gr. 65-45-12	1
5	300-4-6-SCW	WEDGE	AL BRZ, B148-954	1
6	300-3-8	DISC	AL BRZ, B148-954	2
7	300-3-9	SEAT	AL BRZ, B505-C95400	2
8	300-3-11	BONNET GASKET	GARLOCK STYLE 19	1
9	300-4-12	HANDWHEEL w/ INTERGRAL 2" NUT	DUCTILE IRON	1
10	HHCS.5-13X2.25	HHCS, 1/2-13 UNC x 2.25" LG	304 SS	6
11	FHN.5-13	STD HEX HD NUT, 1/2"-13 UNC	304 SS	7
12	HHCS.5-13X1.25	HHCS, 1/2-13 UNC x 1.25" LG	304 SS	4
13	PLG.375	PLUG, HEX HEAD, 3/8" NPTF	BRONZE	1
14	AS568A-227	O-RING SIZE -227	BUNA N DUROMETER 70	1
15	AS568A-212	O-RING SIZE -212	BUNA N DUROMETER 70	3



ASSY. Nos.: LR036212311114AJ0CG

DRAWN	GDF	9/13/21	Ludlow-Rensselaer Gate Valves by Crispin Valves		
CHECKED	BBG	9/13/21			
DIMENSIONS ARE IN INCHES DO NOT SCALE DRAWING			SIZE	DWG. NO.	REV
FILE LOCATION: \\S2\data\K- Flo_Data\GateValve\300\			C	9101587	0
FILE NAME: 9101587			SCALE: 0.5:1	WT: 78 LB	SHEET 1 OF 1

REV	DESCRIPTION	DATE	APP'D