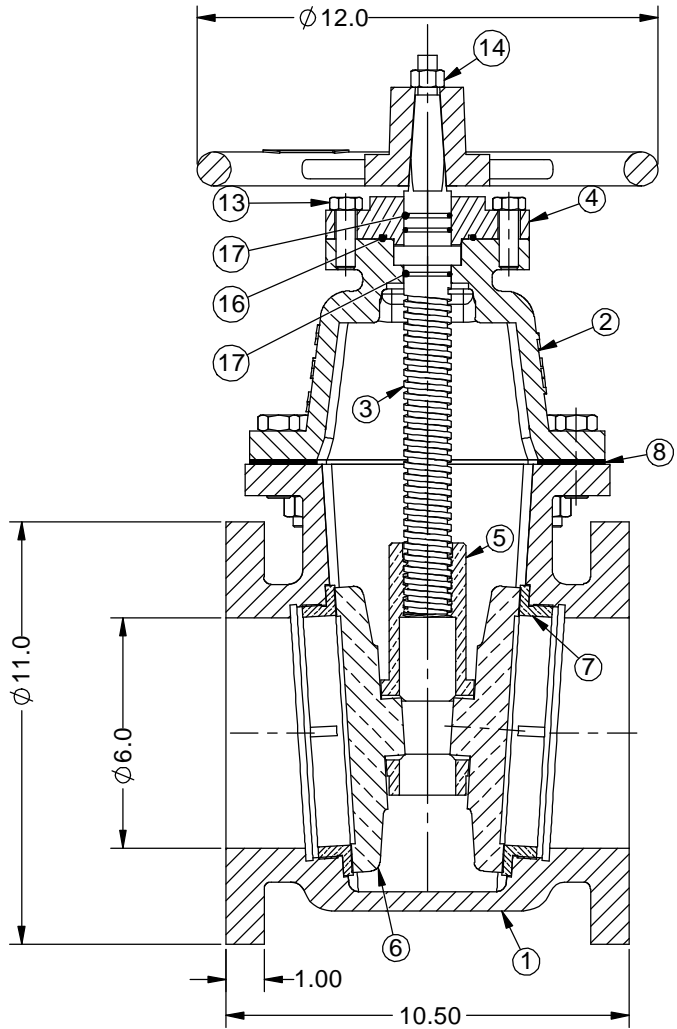
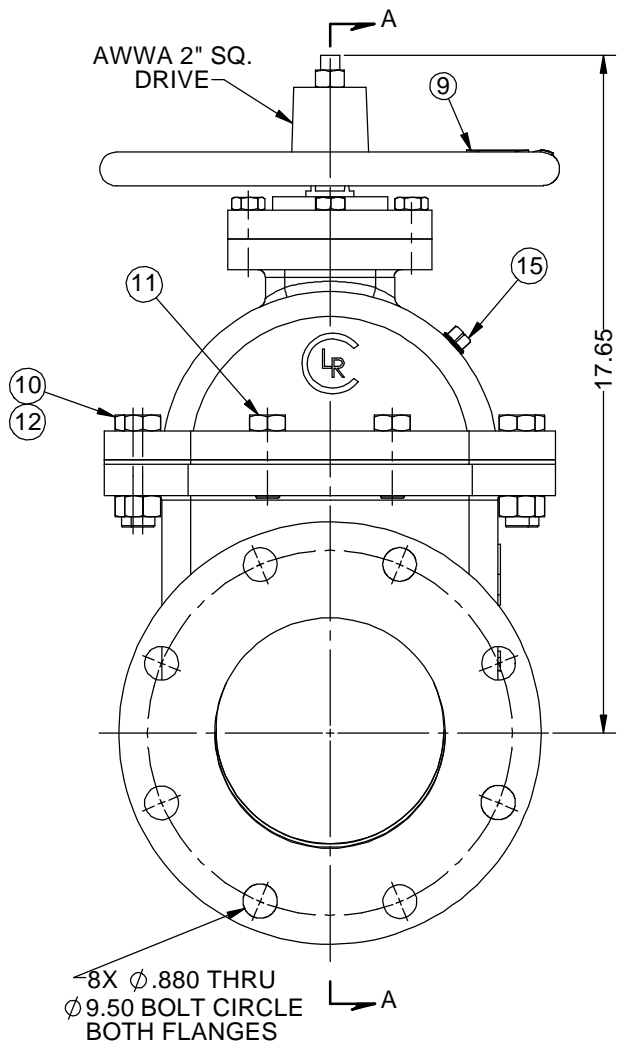
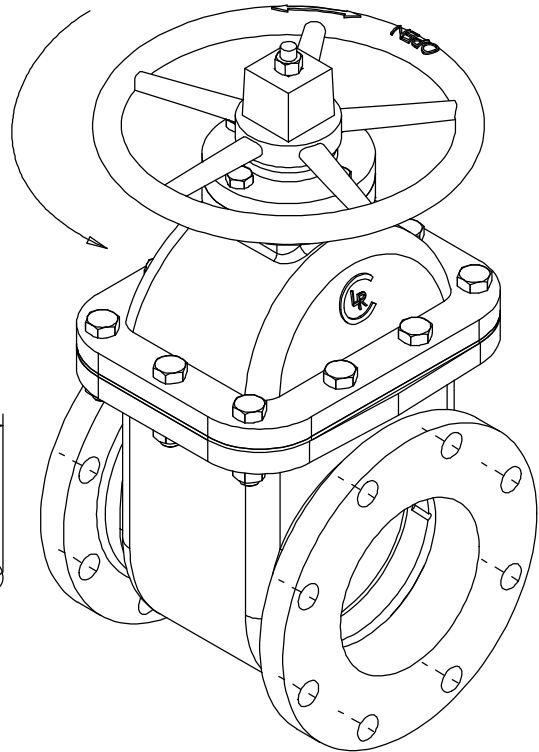


PARTS LIST				
KEY	PART No.	DESCRIPTION	MATERIAL	QTY.
1	300-61-1F	BODY	D.I., A536 Gr. 65-45-12	1
2	300-61-2	BONNET	D.I., A536 Gr. 65-45-12	1
3	300-6-4-SCW	STEM	ASTM A276 TYPE 304 SS	1
4	300-6-5	BONNET CAP	D.I., A536 Gr. 65-45-12	1
5	300-6-6-SCW	WEDGE, CLOSE CLOCKWISE	AL BRZ, B148-954	1
6	300-6-8	DISC	AL BRZ, B148-954	2
7	300-6-9	SEAT	AL BRZ, B505-C95400	2
8	300-6-11	BONNET GASKET	GARLOCK STYLE 19	1
9	300-6-12	HANDWHEEL w/ 2" NUT	DUCTILE IRON	1
10	HHCS.625-11X2.5	HHCS, 5/8-11 UNC x 2.5" LG.	304 SS	6
11	HHCS.625-11X1.75	HHCS, 5/8-11 UNC x 1.75" LG.	304 SS	4
12	FHN.625-11	STD HEX HD NUT, 5/8"-11 UNC	304 SS	6
13	HHCS.5-13X1.5	HHCS, 1/2-13 UNC x 1.5" LG	304 SS	4
14	FHN.5-13	STD HEX HD NUT, 1/2"-13 UNC	304 SS	1
15	PLG.375	PLUG, HEX HEAD, 3/8" NPTF	CARBON STEEL	1
16	AS568A-228	O-RING SIZE -228	BUNA N DUROMETER 70	1
17	AS568A-121	O-RING SIZE -121	BUNA N DUROMETER 70	3

OPEN CCW



SECTION A-A

Assy. P/N: LR0662123111114EJ0CG

DRAWN		NAME	DATE	Ludlow-Rensselaer Gate Valves by Crispin Valves	
CHECKED		BBG	3/11/21	6" CL. 150 FF, Fig. 304 Gate Valve, w/ Ø12" HW, Close Clockwise	
DIMENSIONS ARE IN INCHES DO NOT SCALE DRAWING				SIZE	REV
FILE LOCATION: N:\GateValve\300\				C	0
FILE NAME: 9101634				SCALE: 0.4:1	WT: 168 LB
				SHEET 1 OF 1	

REVISIONS			
REV	DESCRIPTION	DATE	APP'D