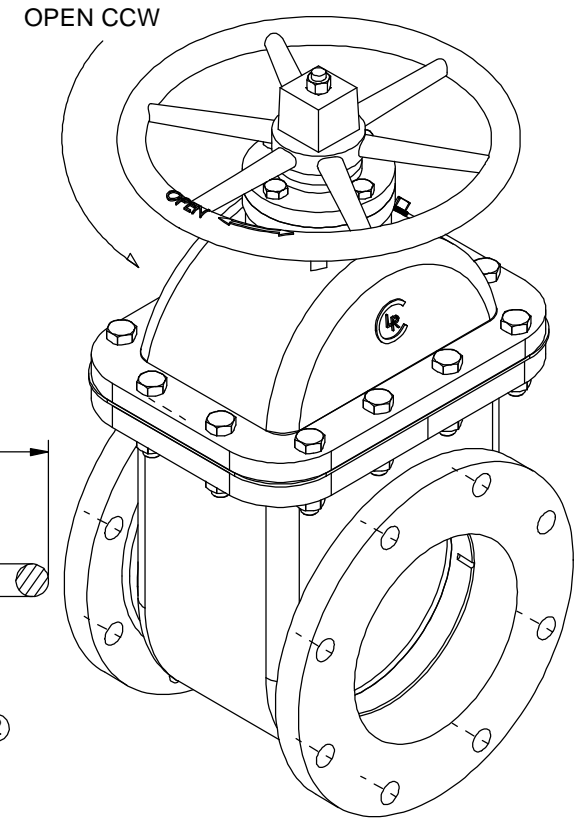
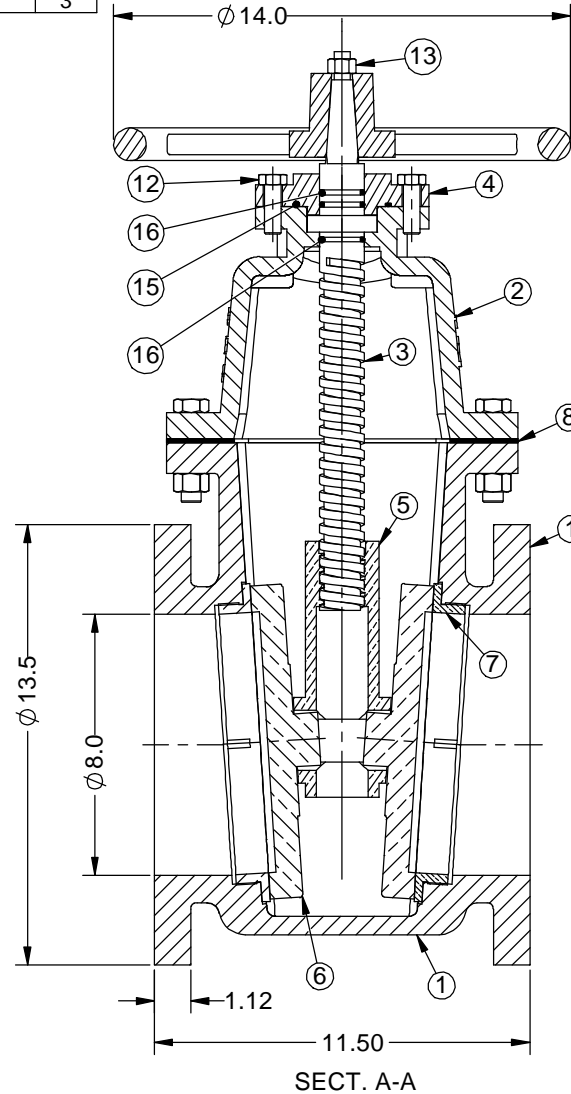
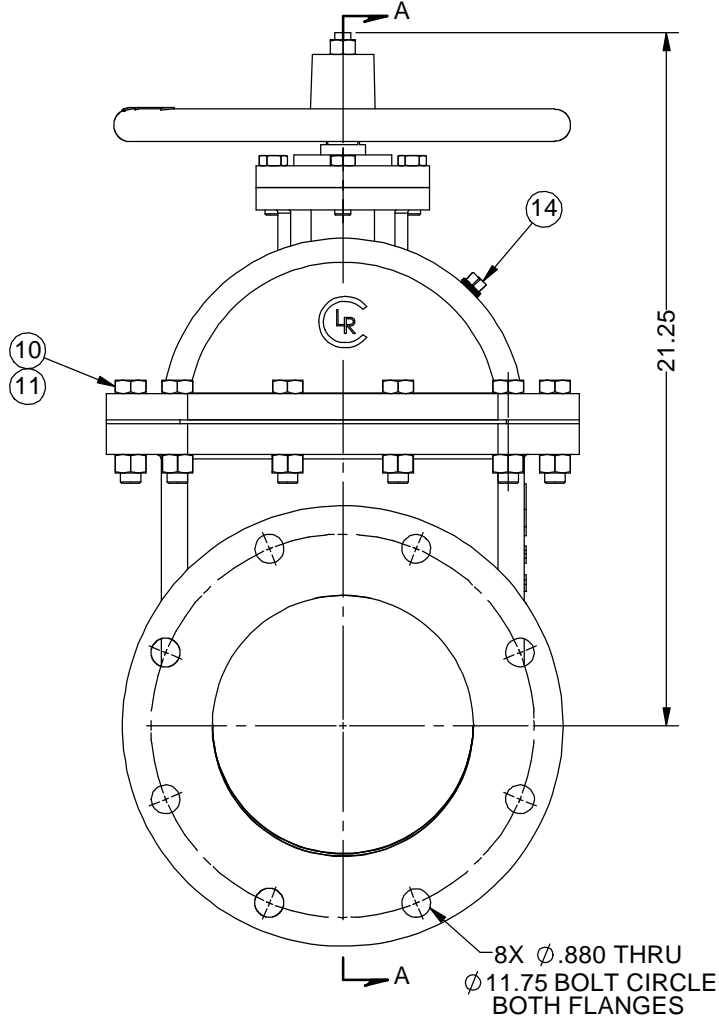


PARTS LIST				
KEY	PART No.	DESCRIPTION	MATERIAL	QTY.
1	300-81-1F	BODY	D.I., A536 Gr. 65-45-12	1
2	300-81-2	BONNET	D.I., A536 Gr. 65-45-12	1
3	300-8-4-SCW	STEM	AISI 304 SS	1
4	300-8-5	BONNET CAP	D.I., A536 Gr. 65-45-12	1
5	300-8-6-SCW	WEDGE, CLOSE CLOCKWISE	AL BRZ, B148-954	1
6	300-8-8	DISC	AL BRZ, B148-954	2
7	300-8-9	SEAT	AL BRZ, B505-C95400	2
8	300-8-11	BONNET GASKET	GARLOCK STYLE 19	1
9	300-8-12	HANDWHEEL w/ INTERGRAL 2" NUT	DUCTILE IRON	1
10	HHCS.625-11X2.75	HHCS, 5/8-11 UNC x 2.75" LG.	304 SS	12
11	FHN.625-11	STD HEX HD NUT, 5/8"-11 UNC	304 SS	12
12	HHCS.5-13X1.5	HHCS, 1/2-13 UNC x 1.5" LG	304 SS	4
13	FHN.5-13	STD HEX HD NUT, 1/2"-13 UNC	304 SS	1
14	PLG.375	PLUG, HEX HEAD, 3/8" NPTF	CARBON STEEL	1
15	AS568A-232	O-RING SIZE -232	BUNA N DUROMETER 70	1
16	AS568A-216	O-RING SIZE -216	BUNA N DUROMETER 70	3



Assy. P/N: LR086212311114EJ0CG

DRAWN		NAME	DATE	Ludlow-Rensselaer Gate Valves by Crispin Valves	
hWig			11/01/21	8" CL. 150 FF, Fig. 304 Gate Valve, w/ Handwheel & Intergral 2" Sq. Nut, Close Clockwise	
CHECKED		BBG	11/03/21	DIMENSIONS ARE IN INCHES DO NOT SCALE DRAWING	
FILE LOCATION: N:\GateValve\300\		SIZE	DWG. NO.	REV	
		C	9101635	0	
FILE NAME: 9101635		SCALE: 0.34:1	WT: 271 LB	SHEET 1 OF 1	

REVISIONS			
REV	DESCRIPTION	DATE	APP'D