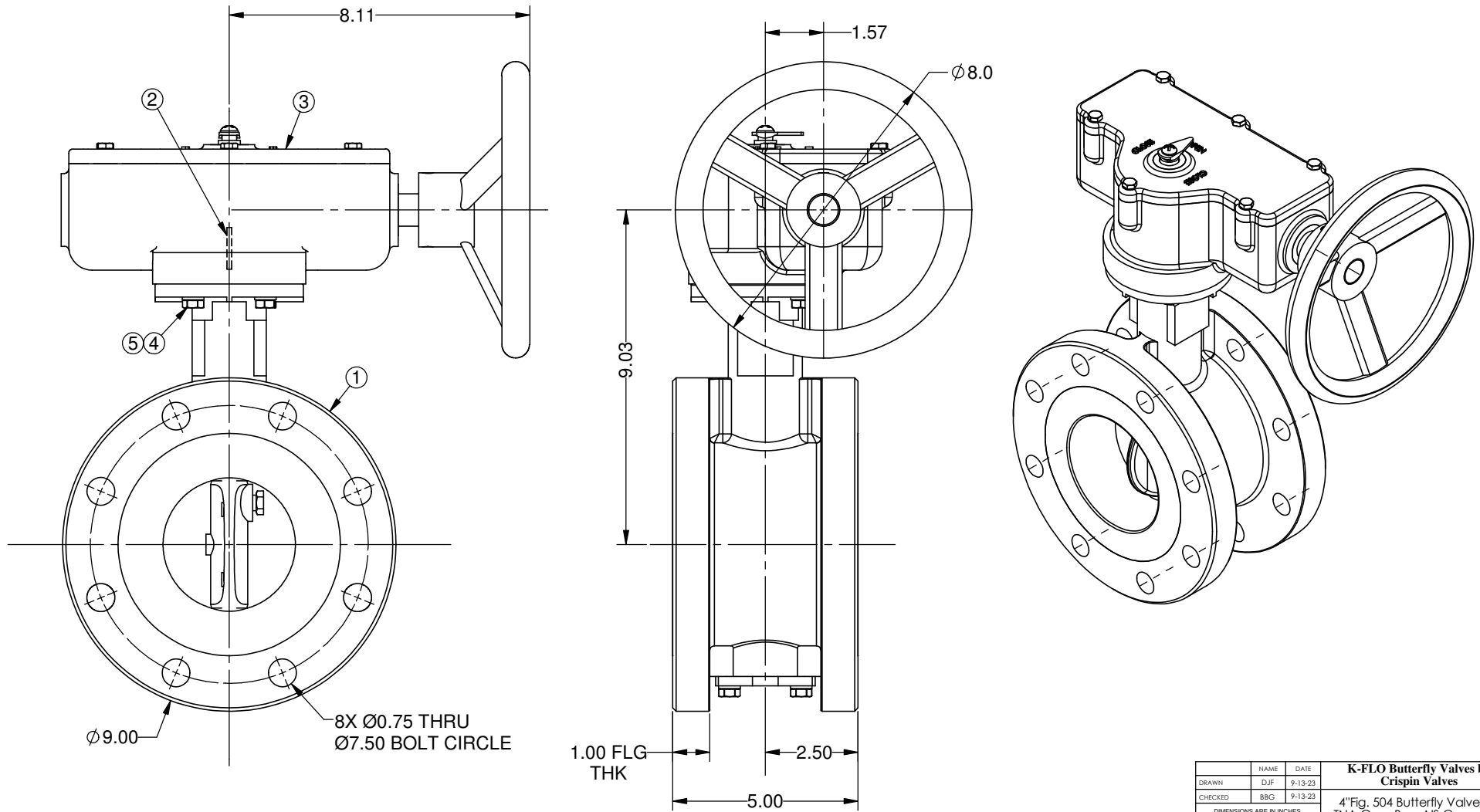


- NOTES:
1. MAXIMUM WORKING PRESSURE: 150 PSIG
 2. HYDROSTATIC TEST PRESSURE: 300 PSIG
 3. FLANGE DRILLING PER ANSI B16.42 CLASS 150
 4. MANUFACTURED IN ACCORDANCE WITH ANSI/AWWA C504, LATEST REVISION
 5. ASTM A536 GR. 65-45-12 DUCTILE IRON BODY
 6. ASTM B148 UNS C95500 NI-AL BRONZE DISC
 7. ASTM A276 TYPE 304 STAINLESS STEEL SHAFT
 8. VALVE SEAT, SEALS AND PACKING WILL BE EPDM
 9. VALVE MAY BE INSTALLED WITH SHAFT IN EITHER HORIZONTAL OR VERTICAL POSITION
 10. VALVES ARE DESIGNED FOR BI-DIRECTIONAL BUBBLE TIGHT SERVICE (AWWA CLASS 150B)
 11. ROTATE SHAFT CLOCKWISE TO CLOSE VALVE
 12. VALVE WILL BE COATED INTERNALLY & EXTERNALLY IN ACCORDANCE WITH ORDER REQUIREMENTS
 13. VALVE WILL BE TAGGED AS FOLLOWS: V-6331A, V-6331C, V-6332A, V-6332C, V-6333, V-6531A, V-6532A, V-2137 & V-4030

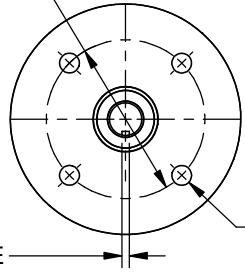
PARTS LIST

ITEM	PART No.	REV	DESCRIPTION	MATERIAL	QTY.
1	K0442313301	4	4"-504 CL 125 BFV KIT, C504	AIS TRIM	1
2	2700105		KEY	A108 UNS G 10180	1
3	TNA-B-3H	3	TRAVELING NUT OPERATOR	PER SUB-ASSY BOM	1
4	HHCS.313X1		HHCS, 5/16"-18 X 1.0" LG.	STEEL, GR 5, ZINC PLTD	4
5	LW.313		LOCK WASHER, 5/16"	CARBON STEEL/ ZP	4



NAME			DATE			K-FLO Butterfly Valves by Crispin Valves		
DRAWN	DJF	9-13-23				4" Fig. 504 Butterfly Valve w/ TNA Gear Box, AIS Compliant		
CHECKED	BBG	9-13-23						
DIMENSIONS ARE IN INCHES DO NOT SCALE DRAWING						SIZE	DWG. NO.	REV
FILE LOCATION: \\S21s1\Drawings\SPECIAL DWGS\CHRISTY\Ferguson\HFA 9-12- 23\						C	9102016	0
SCALE: 0.5:1			WT: 61 LB		SHEET 1 OF 2			

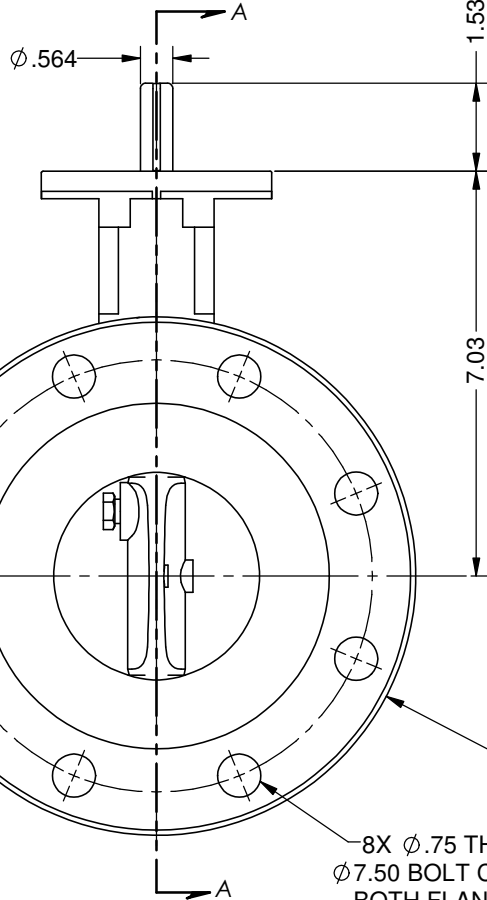
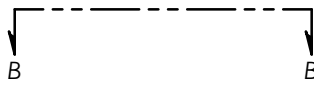
Ø2.76 B. C.



.125
f/ SQUARE
KEY

4X Ø.34
STRADDLE \varnothing

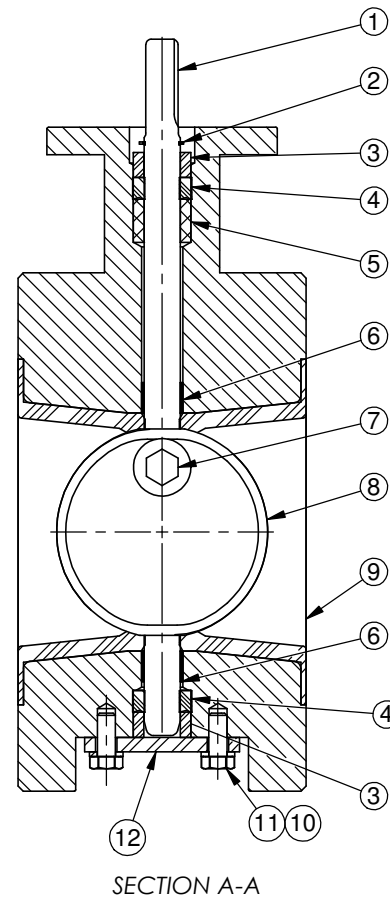
VIEW B-B



8X Ø.75 THRU
Ø7.50 BOLT CIRCLE
BOTH FLANGES

PARTS LIST f/ VALVE SUB-ASSY: K0442313301

ITEM	PART No.	DESCRIPTION	MATERIAL	QTY
1	2400120	STEM	A276 TYPE 304 SS	1
2	7100038	RETAINING RING	SPRING STEEL	1
3	7200077	SPACER	THERMOPLASTIC, POLYESTER	2
4	72000047-EPDM	PACKING, V-TYPE	EPDM RUBBER	2
5	7200067	UPPER BUSHING	THERMOPLASTIC, POLYESTER	1
6	7200057	BEARING	316 SS/ TFE FABRIC LINED	2
7	2400161	TORQUE PLUG	A276 TYPE 316 SS	1
8	1000059	DISC	AL-BRZ., B148-955	1
9	4020249	BODY & SEAT	D.I., A536 Gr. 65-45-12/ EPDM	1
10	LW.313	LOCK WASHER, 5/16"	18-8 SS	2
11	HHCS.313X.75	HHCS, 5/16" X 0.75" LG.	18-8 SS	2
12	2200014	COVER PLATE	A743 CA-15 (410 SS)	1



SECTION A-A

DRAWN		NAME	DATE	K-FLO Butterfly Valves by Crispin Valves		
CHECKED		BBG	03/06/23	4"-504 VALVE ASSY.		
DIMENSIONS ARE IN INCHES DO NOT SCALE DRAWING						
FILE LOCATION: \\S2\st1\Drawings\SPECIAL DWGS\CHRISTY\Ferguson\HFA 9-12- 23\				SIZE C	DWG. NO. 9102016	REV 0
SCALE: 0.6:1				WT: 39 LB	SHEET 2 OF 2	