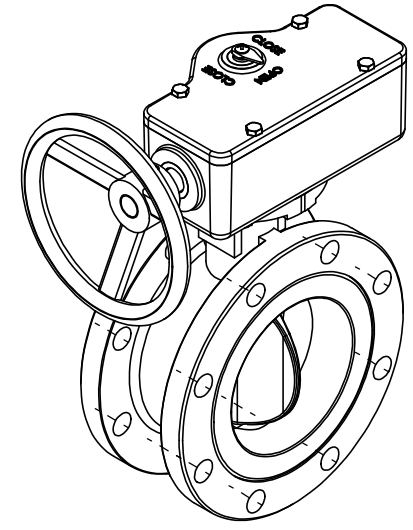
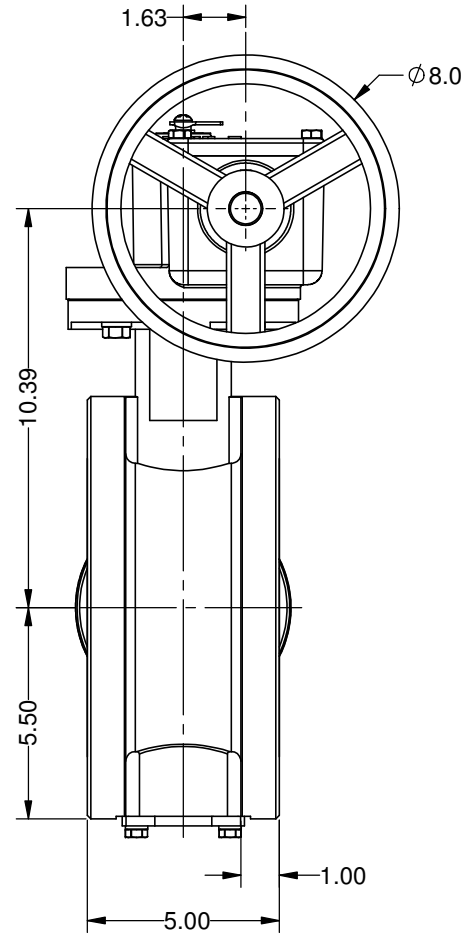
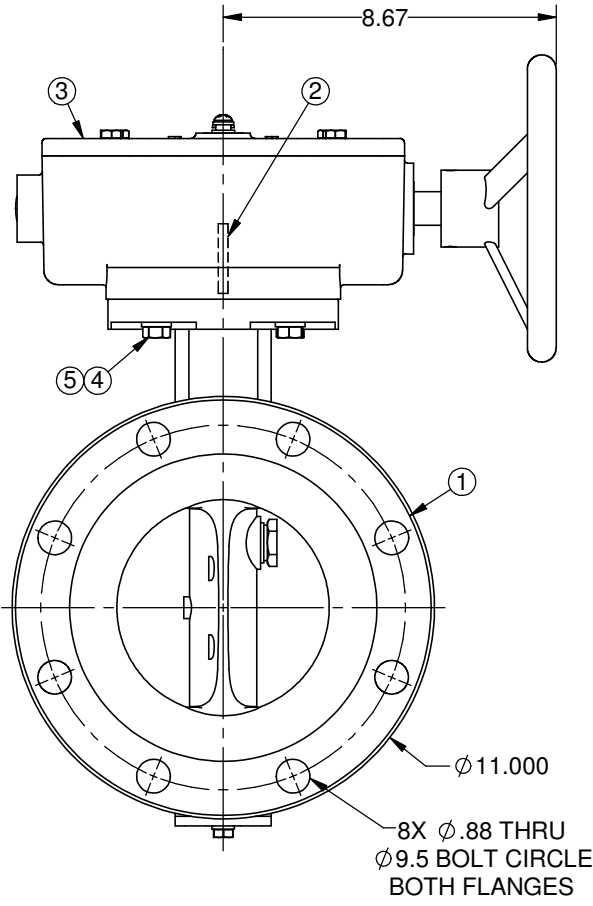


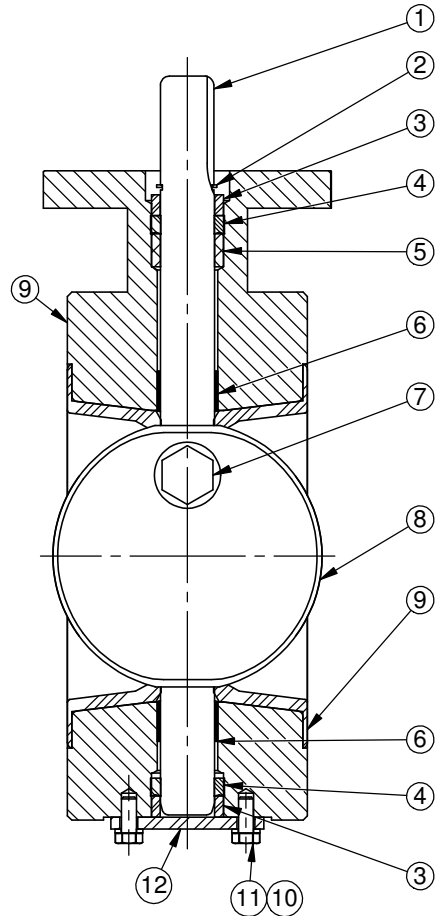
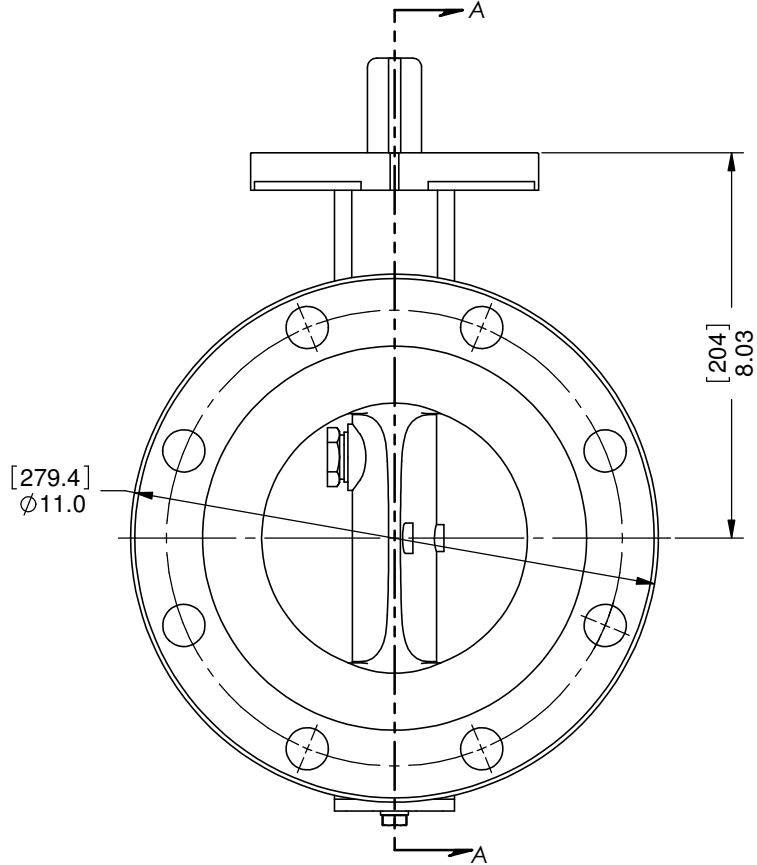
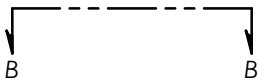
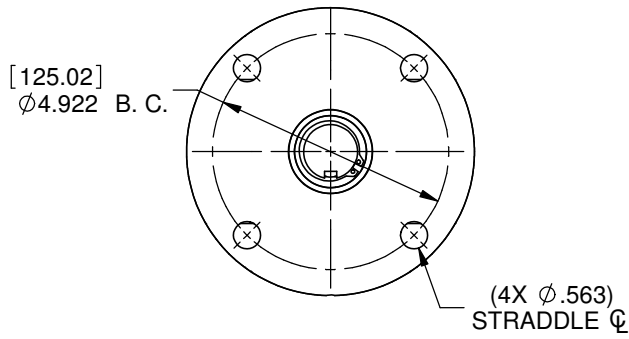
PARTS LIST				
ITEM	PART No.	DESCRIPTION	MATERIAL	QTY.
1	K0642313301	6"-504 CL 125 BFV KIT, C504, AIS	AIS TRIM	1
2	2700078	KEY	A108 UNS G 10180	1
3	TNA-C-6H	TRAVELING NUT OPERATOR	PER SUB-ASSY BOM	1
4	HHCS.438X1.25	HHCS, 7/16"-14 X 1.25" LG.	STEEL, GR 5, ZINC PLTD	4
5	LW.437	LOCK WASHER, 7/16"	STEEL	4



- NOTES:
1. MAXIMUM WORKING PRESSURE: 150 PSIG
HYDROSTATIC TEST PRESSURE: 300 PSIG
 2. FLANGE DIMENSIONS AND DRILLING COMPLIES WITH ASME B16.42 CL. 150
 3. MANUFACTURED IN ACCORDANCE WITH ANSI / AWWA C504, LATEST REVISION
 4. ASTM A536 GR. 65-45-12 DUCTILE IRON BODY
 5. ASTM B148 UNS C95500 NI-AL BRONZE DISC
 6. ASTM A276 TYPE 304 STAINLESS STEEL SHAFT
 7. VALVE SEAT, SEALS AND PACKING WILL BE EPDM
 8. VALVE MAY BE INSTALLED WITH SHAFT IN EITHER HORIZONTAL OR VERTICAL POSITION
 9. VALVE IS DESIGNED FOR BI-DIRECTIONAL BUBBLE TIGHT SERVICE (AWWA CLASS 150B)
 10. ROTATE ACTUATOR CLOCKWISE TO CLOSE VALVE
 11. VALVE WILL BE COATED INTERNALLY & EXTERNALLY IN ACCORDANCE WITH ORDER REQUIREMENTS
 12. VALVE WILL BE TAGGED AS FOLLOWS: V-5331A, V-5331C, V-5332A, V-5332C, V-5333A, V-5333C, V-6131A, V-6131C, V-6132A, V-6132C, V-6133A, V-6133C, V-6530 & V-6134

DRAWN		NAME		DATE		K-FLO Butterfly Valves by Crispin Valves	
D.J.F.		D.J.F.		9-13-23			
CHECKED		NAME		DATE		6"Fig. 504 Butterfly Valve w/ TNA Gear Box, AIS Compliant	
B.B.G.		B.B.G.		9-13-23			
DIMENSIONS ARE IN INCHES DO NOT SCALE DRAWING							
FILE LOCATION: \\S21s1\Drawings\SPECIAL DWGS\CHRISTY\Ferguson\HFA 9-12- 23\						SIZE	REV
FILE NAME: 9102017						C	0
SCALE: 0.4:1				WT: 94 LB		SHEET 1 OF 2	

SECTION B-B



SECTION A-A

PARTS LIST f/ K0642313301

ITEM	PART No.	REV	DESCRIPTION	MATERIAL	QTY
1	2400121	K	STEM	A276 TYPE 304 SS	1
2	7100039		RETAINING RING	SPRING STEEL	1
3	7200078	0	SPACER	THERMOPLASTIC, POLYESTER	2
4	72000048-EPDM	2	PACKING, V-TYPE	EPDM-P	2
5	7200068	2	UPPER BUSHING	THERMOPLASTIC, POLYESTER	1
6	7200058	1	BEARING	316 SS/ TFE FABRIC LINED	2
7	2400162	2	TORQUE PLUG	A276 TYPE 316 SS	1
8	1000060	0	DISC	AL. BRZ.	1
9	4020250	1	BODY & SEAT	D.I., A536 Gr. 65-45-12/ EPDM-P	1
10	LW.313		LOCK WASHER, 5/16"	18-8 SS	2
11	HHCS.313X.75		HHCS, 5/16" X 0.75" LG.	316 SS	2
12	2200015	2	COVER PLATE	A743 CA-15 (410 SS)	1

DRAWN	hWg	DATE	11/07/22	K-FLO Butterfly Valves by Crispin Valves		
CHECKED	BBG	DATE	11/09/22			
DIMENSIONS ARE IN INCHES DO NOT SCALE DRAWING				6"-504 CL 125 BFV KIT, C504, AIS		
FILE LOCATION:	\\S2\st1\Drawings\SPECIAL			SIZE	DWG. NO.	REV
DWG:\CHRISTY\Ferguson\HFA 9-12-23				C	9102017	0
FILE NAME: 9102017				SCALE: 0.5:1	WT: 62 LB	SHEET 2 OF 2