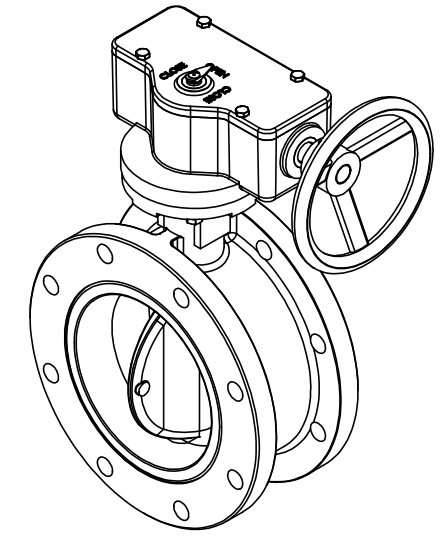
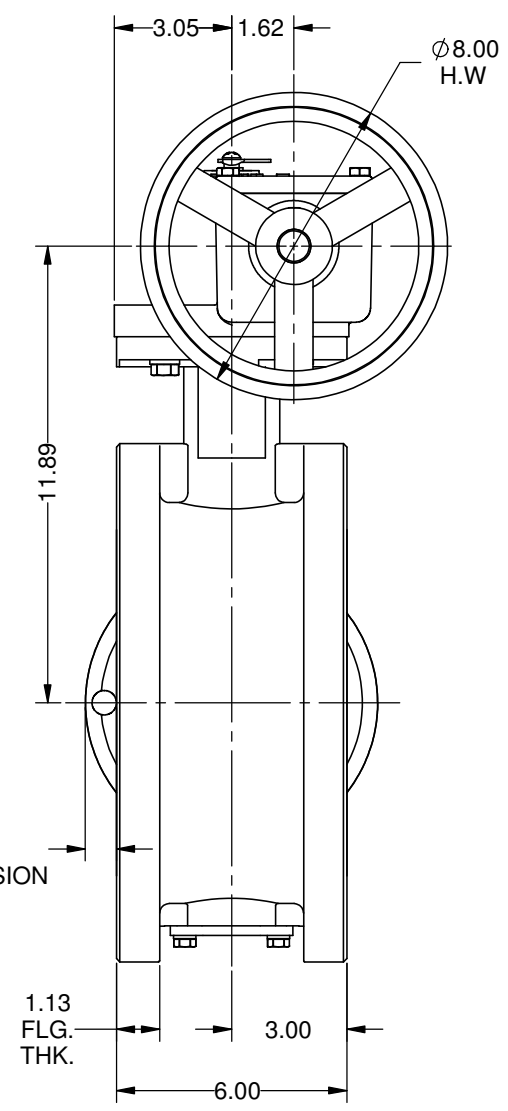
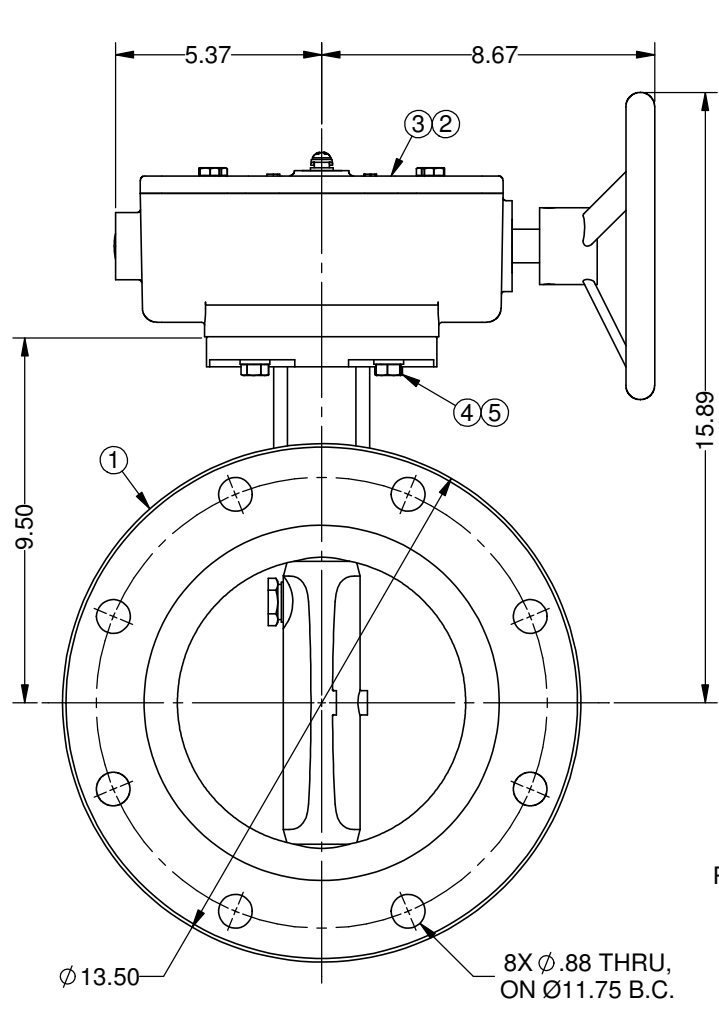


ITEM	PART NUMBER	DESCRIPTION	MATERIAL	QTY.
1	K0842313305	8"-504 CL 150 BFV, C504	AIS TRIM	1
2	2700078	KEY, 6" & 8" 500 SERIES	A108 UNS G 10180	1
3	TNA-C-6H	TRAVELING NUT OPERATOR	PER SUB-ASSY BOM	1
4	HHCS.438X1.25	HHCS, 7/16"-14 X 1.25" LG.	CARBON STEEL/ ZP	4
5	LW.437	LOCKWASHER, 7/16"	CARBON STEEL/ ZP	4



- NOTES:
1. MAXIMUM WORKING PRESSURE: 150 PSIG
HYDROSTATIC TEST PRESSURE: 300 PSIG
 2. FLANGE DIMENSIONS AND DRILLING COMPLIES WITH ASME B16.42 CL. 150
 3. MANUFACTURED IN ACCORDANCE WITH ANSI / AWWA C504, LATEST REVISION
 4. ASTM A536 GR. 65-45-12 DUCTILE IRON BODY
 5. ASTM B148 UNS C95500 NI-AL BRONZE DISC
 6. ASTM A276 TYPE 304 STAINLESS STEEL SHAFT
 7. VALVE SEAT, SEALS AND PACKING WILL BE EPDM
 8. VALVE MAY BE INSTALLED WITH SHAFT IN EITHER HORIZONTAL OR VERTICAL POSITION
 9. VALVE IS DESIGNED FOR BI-DIRECTIONAL BUBBLE TIGHT SERVICE (AWWA CLASS 150B)
 10. ROTATE ACTUATOR CLOCKWISE TO CLOSE VALVE
 11. VALVE WILL BE COATED INTERNALLY & EXTERNALLY IN ACCORDANCE WITH ORDER REQUIREMENTS
 12. VALVE WILL BE TAGGED AS FOLLOWS: V-4130, V-6135

K-FLO Butterfly Valves by Crispin Valves		
DRAWN	NAME	DATE
DJF	DJF	9-13-23
CHECKED	NAME	DATE
BBC	BBC	9-13-23
DIMENSIONS ARE IN INCHES DO NOT SCALE DRAWING		
FILE LOCATION: \\S21s1\Drawings\SPECIAL DWGS\CHRISTY\Ferguson\HFA 9-12- 23\	SIZE	REV. NO.
FILE NAME: 9102018	C	9102018
SCALE: 1:3.25	WT: 142 LB	SHEET 1 OF 1

Ø13.50

8X Ø.88 THRU,
ON Ø11.75 B.C.

.81
DISC
PROTRUSION

1.13
FLG.
THK.

3.00

6.00