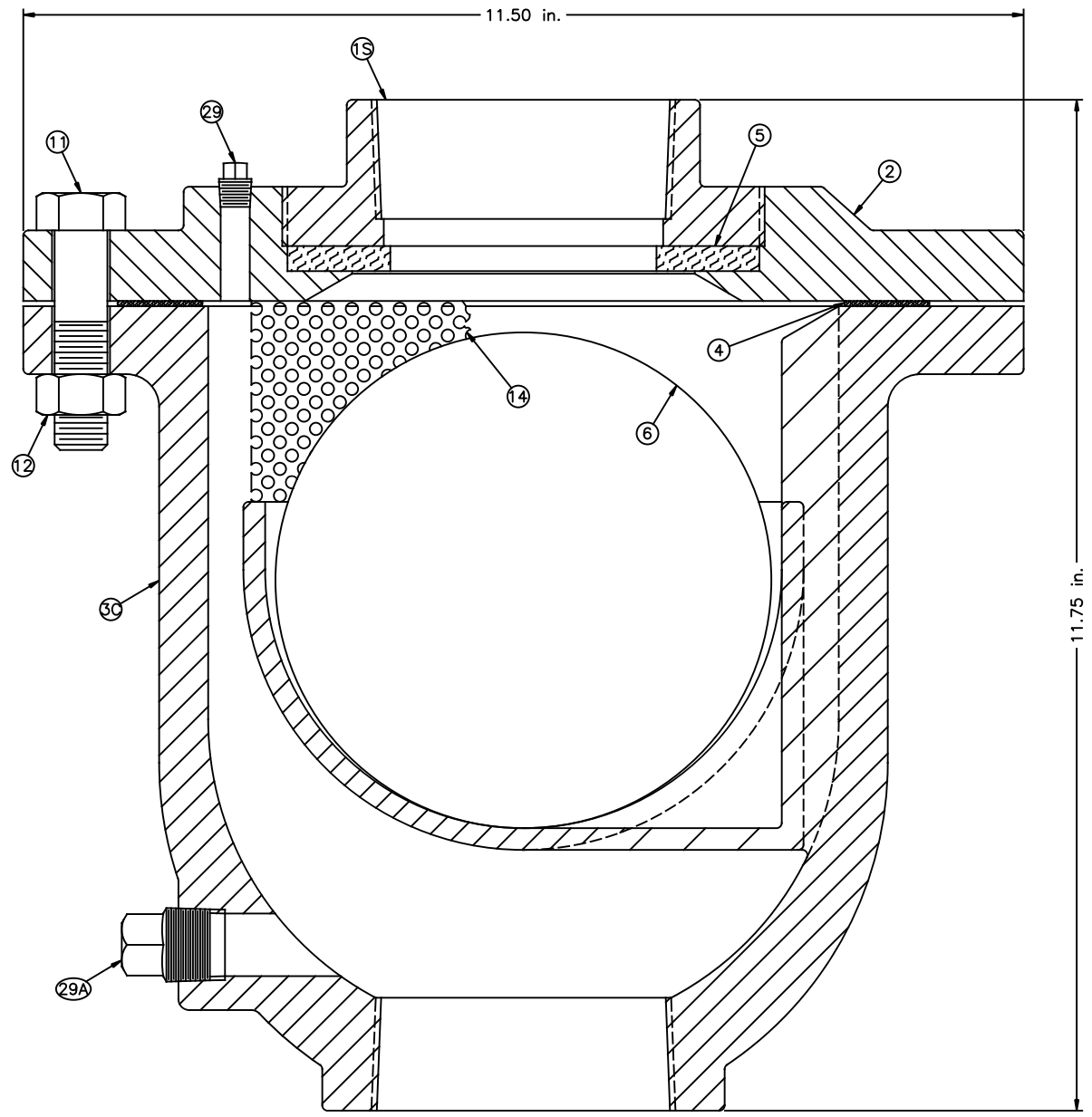


FILENAME: \\S2\DATA\CATALOG PAGES\STANDARD SALES DRAWINGS\AIR VALVES\AIR & VACUUM VALVES WITH DIFFUSER\AL30-D



AIR / VACUUM PARTS LIST				
PART NO.	DWG. NO.	DESCRIPTION	MATERIAL	QTY.
1S	4-1S	TOP	CAST IRON	1
2	4-2C	FLANGE	CAST IRON	1
3C	4-3C	BODY	CAST IRON	1
4	4-4	GASKET	ARMSTRONG	1
5	4-5	SEAT	BUNA-N RUBBER	1
6	4-6S	FLOAT	STAINLESS STEEL	1
11	5-11	BOLT	STEEL	6
12	4-12	NUT	STEEL	6
14	4-14C	DIFFUSER	STAINLESS STEEL	1
29	27-29	PLUG	BRASS	1
29A	PLG-.5	PLUG	BRASS	1

**NOTES:**

1. INLET SIZE: 3" NPT; OUTLET SIZE: 3" NPT.
2. APPROXIMATE WEIGHT - 77 lbs.
3. WHEN OPERATING PRESSURE IS BELOW 20 psig, REPLACE ITEM NO. 5 WITH SOFT SEATING MATERIAL DWG. NO. 4-5L.
4. WHEN OPERATING PRESSURE IS ABOVE 150 psig, REPLACE ITEM NO. 5 WITH HARD SEATING MATERIAL DWG. NO. 4-5H.

DO NOT SCALE DRAWING DIMENSIONS ARE IN INCHES		<b>Crispin Air Valves</b>		
		<b>3" AIR &amp; VACUUM VALVE WITH DIFFUSER</b>		
REDRAWN:	DATE:	SIZE:	DWG. NO.:	REV:
CHECKED: B.J.L.	7-5-07	C	AL30-D	0
DRAWN: DJF	7-5-07	SCALE 1.0 = 1.0	SHEET X OF X	

REV	DESCRIPTION	DATE	APPROVED