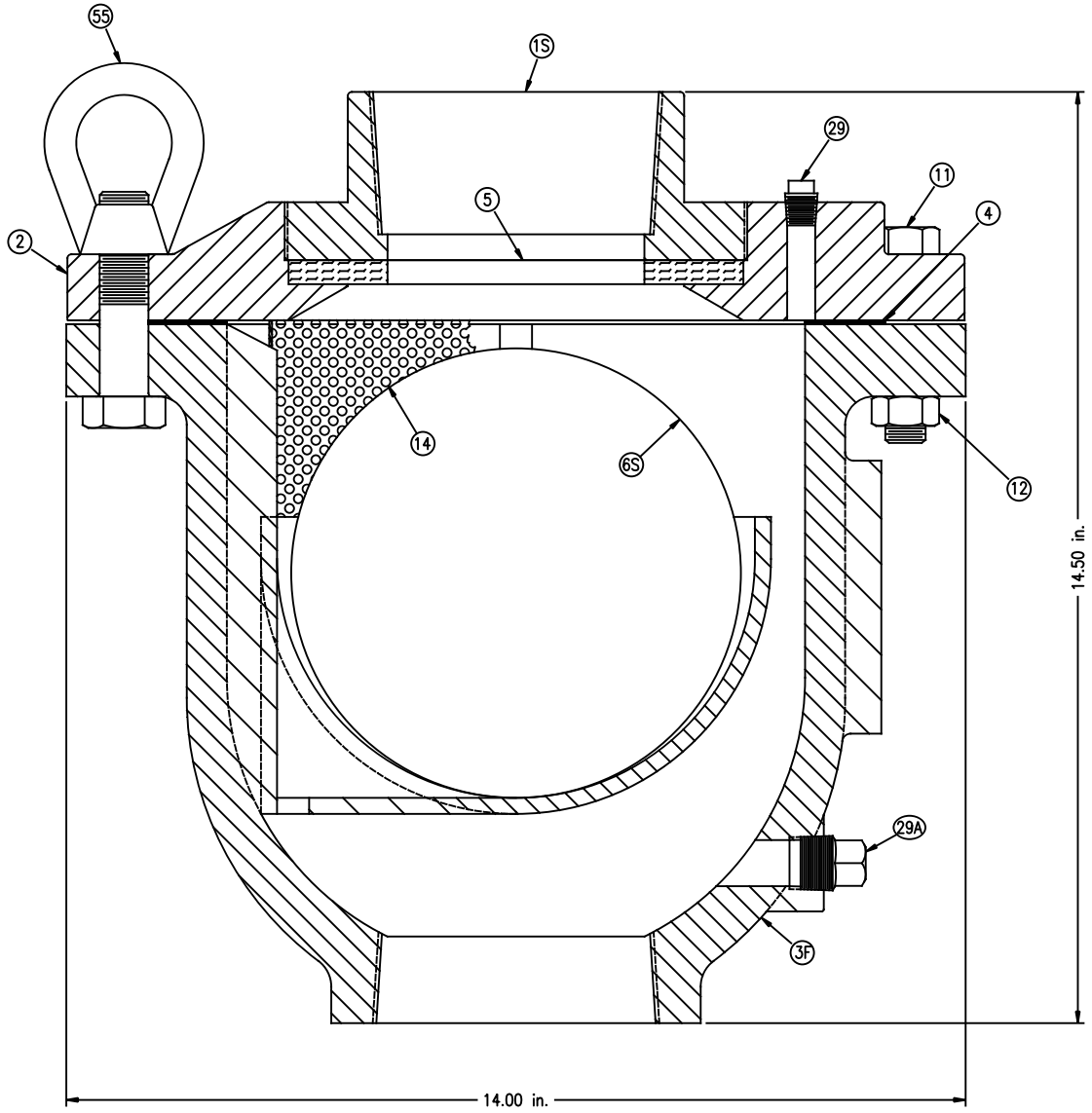


FILENAME: \\S2\DATA\CATALOG PAGES\STANDARD SALES DRAWINGS\AIR VALVES\AIR & VACUUM VALVES WITH DIFFUSER\AL40-D



PARTS LIST				
PART NO.	DWG. NO.	DESCRIPTION	MATERIAL	QTY.
1S	5-1S	TOP	CAST IRON	1
2	5-2C	FLANGE	CAST IRON	1
3	5-3C	BODY, SCREWED	CAST IRON	1
4	5-4	GASKET	ARMSTRONG	1
5	5-5	SEAT	BUNA-N RUBBER	1
6S	5-6S	FLOAT	STAINLESS STEEL	1
11	30-33	BOLT	STEEL	8
12	4-12	NUT	STEEL	6
14	5-14C	DIFFUSER	STAINLESS STEEL	1
29	27-29	PLUG	BRASS	1
29A	PLG-.5	PLUG	BRASS	1
55	EN 5/8" -11	EYE NUT	FORGED STEEL	2

- NOTES:**
1. INLET SIZE: 4" NPT; OUTLET SIZE: 4" NPT.
 2. APPROXIMATE WEIGHT - 156 lbs.
 3. WHEN OPERATING PRESSURE IS BELOW 20 psig, REPLACE ITEM NO. 5 WITH SOFT SEATING MATERIAL DWG. NO. 5-5L.
 4. WHEN OPERATING PRESSURE IS ABOVE 150 psig, REPLACE ITEM NO. 5 WITH HARD SEATING MATERIAL DWG. NO. 5-5H.

DO NOT SCALE DRAWING DIMENSIONS ARE IN INCHES		Crispin Air Valves 4" AIR & VACUUM VALVE WITH DIFFUSER		
REDRAWN:	DATE:	CHECKED: B.J.L.	12-27-06	DWG. NO. AL40-D
SIZE C	SCALE .50 = 1.0	DRAWN: DJF	7-15-13	REV 0
				SHEET 1 OF 1

REV	DESCRIPTION	DATE	APPROVED