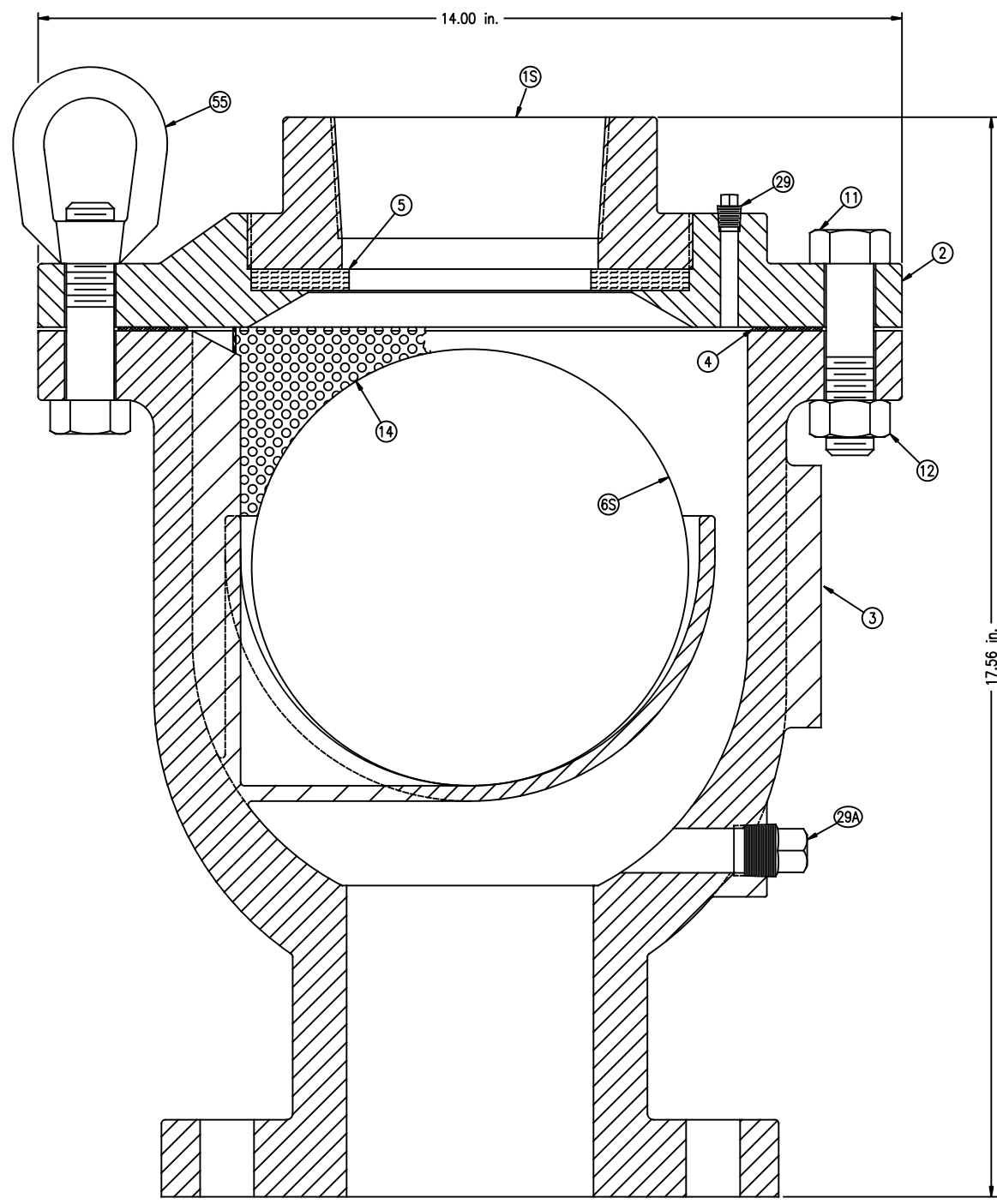


FILENAME: \\S2\DATA\CATALOG PAGES\STANDARD SALES DRAWINGS\AIR VALVES AIR & VACUUM VALVES WITH DIFFUSER\AL42-D



PARTS LIST				
PART NO.	DWG. NO.	DESCRIPTION	MATERIAL	QTY.
1S	5-1S	TOP	CAST IRON	1
2	5-2C	FLANGE	CAST IRON	1
3	5-3CFH	BODY	CAST IRON	1
4	5-4	GASKET	ARMSTRONG	1
5	5-5	SEAT	BUNA-N RUBBER	1
6S	5-6S	FLOAT	STAINLESS STEEL	1
11	30-33	BOLT	STEEL	8
12	4-12	NUT	STEEL	6
14	5-14C	DIFFUSER	STAINLESS STEEL	1
29	27-29	PLUG	BRASS	1
29A	PLG-.5	PLUG	BRASS	1
55	EN.625-11	EYE NUT	FORGED STEEL	2

INLET FLANGE DATA	
FLANGE DIAMETER	10.00 in.
FLANGE THICKNESS	1.25 in.
BOLT CIRCLE DIAMETER	7.88 in.
NUMBER OF BOLT HOLES	8
BOLT HOLE DIAMETER	0.88 in.

NOTES:

1. INLET SIZE: 4", CLASS 250 FLANGE
OUTLET SIZE: 4" NPT
2. APPROXIMATE WEIGHT: 183 lbs.
3. WHEN OPERATING PRESSURE IS BELOW 20 psig, REPLACE ITEM NO. 5 WITH SOFT SEATING MATERIAL DWG. NO. 5-5L.
4. WHEN OPERATING PRESSURE IS ABOVE 150 psig, REPLACE ITEM NO. 5 WITH HARD SEATING MATERIAL DWG. NO. 5-5H.

REV	DESCRIPTION	DATE	APPROVED
REVISIONS			

DO NOT SCALE DRAWING DIMENSIONS ARE IN INCHES		Crispin Air Valves		
4" CLASS 250 AIR & VACUUM VALVE WITH DIFFUSER				
REDRAWN:	DATE:	SIZE	DWG. NO.	REV
CHECKED: BJL	5-11-11	C	AL42-D	0
DRAWN: DJF	5-11-11	SCALE 0.75 = 1.00	SHEET 1	OF 1