

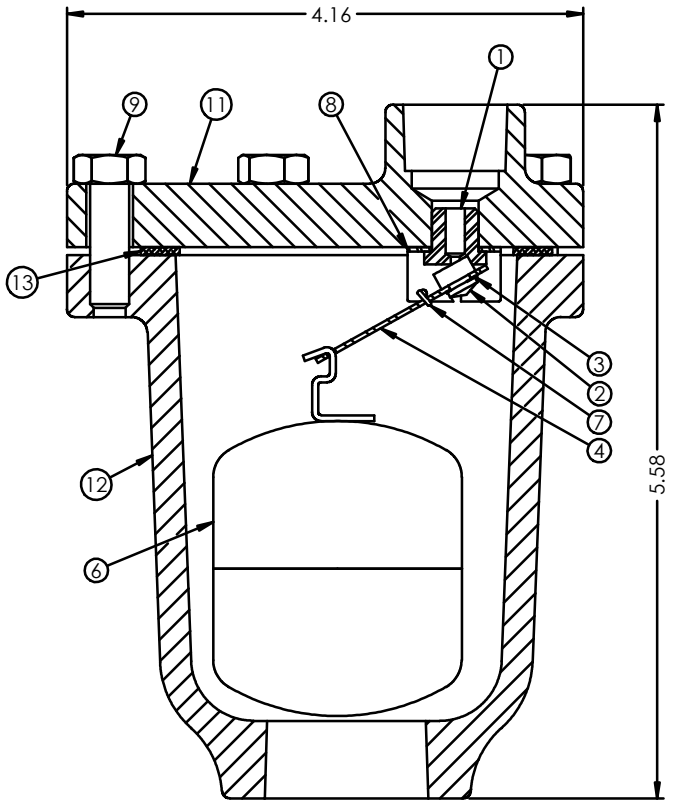
8 7 6 5 4 3 2 1

D

C

B

A



PARTS LIST				
ITEM NO.	PART NUMBER	DESCRIPTION	MATERIAL	QTY.
1	118-1R	SEAT	STAINLESS STEEL	1
2	118-2R	VALVE BUTTON	BUNA-N RUBBER	1
3	118-3	BUTTON CLIP	STAINLESS STEEL	1
4	118-4R	VALVE LEVER	STAINLESS STEEL	1
6	118-6	FLOAT	STAINLESS STEEL	1
7	118-7	HINGE PIN	STAINLESS STEEL	1
8	118-8	HINGE BUTT	STAINLESS STEEL	1
9	HHCS.312X1	COVER BOLT	STEEL	5
11	118-11	FLANGE	DUCTILE IRON	1
12	118-12	BODY	DUCTILE IRON	1
13	118-13	BODY GASKET	ARMSTRONG	1

ORIFICE DATA	
DIAMETER	MAX. WORKING PRESSURE
5/64"	300 PSIG

- NOTE:
1. INLET SIZE: 1" NPT
OUTLET SIZE: 1/2" NPT
 2. APPROXIMATE WEIGHT: 5 lbs
 3. VALVE WILL BE COATED EXTERNALLY WITH PHENOLIC ALKYD PRIMER

REV.	DESCRIPTION	DATE	APPROVED
1	REDRAWN IN SOLIDWORKS	10-16-19	

REVISIONS			
REV.	DESCRIPTION	DATE	APPROVED
1	REDRAWN IN SOLIDWORKS	10-16-19	

UNLESS OTHERWISE SPECIFIED:		
DIMENSIONS ARE IN INCHES		
XX DIMENSIONS	±.1	
XXX DIMENSIONS	±.01	
XXXX DIMENSIONS	±.005	
DRILLED HOLES	±.01	
ANGLES	±1°	
CONCENTRIC DIAMETERS	SEE BELOW	
MACHINED	.005 TIR	
MACHINED TO CAST	.02 TIR	
MACHINED SURFACES	125 BMS	
BEFORE FINISH		
BREAK SHARP EDGES		
MATERIAL:	FILE LOCATION:	
FINISH:	FILE NAME: AR10_8275249 r1	

PROPRIETARY AND CONFIDENTIAL
 THE INFORMATION CONTAINED IN THIS DRAWING IS THE SOLE PROPERTY OF CRISPIN VALVE. ANY REPRODUCTION IN PART OR AS A WHOLE WITHOUT THE WRITTEN PERMISSION OF CRISPIN VALVE IS PROHIBITED.

DO NOT SCALE DRAWING

CRISPIN VALVES

TITLE:
1" PRESSURE AIR RELEASE VALVE

SIZE	DWG. NO.	REV
B	AR10 8275249	1
SCALE: 1:1	WT: LB	SHEET 1 OF 1

8 7 6 5 4 3 2 1