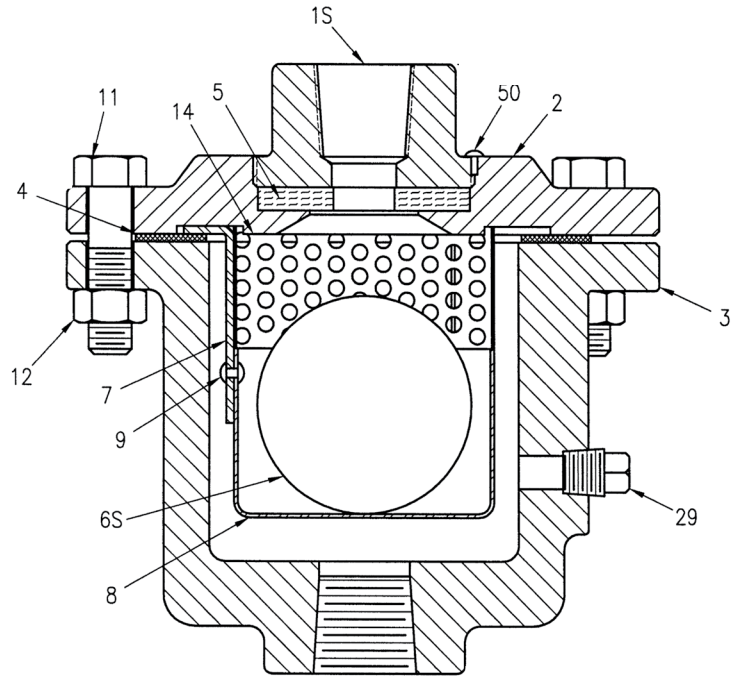


AL Series Air & Vacuum Valves, Sizes 1/2"-24", AWWA C512

A5: 1/2" A Series Air & Vacuum Valve, AWWA C512

Parts List

ITEM	DESCRIPTION	MATERIAL
1S	TOP	Cast Iron (A126 Cl. B)
2	FLANGE	Cast Iron (A126 Cl. B)
3	BODY	Cast Iron (A126 Cl. B)
4	GASKET	Armstrong N-8092
5***	SEAT	Buna-N Rubber (D2000)
6S	FLOAT	Stainless Steel (A240)
7	HANGER	Stainless Steel (A240)
8	CUP	Stainless Steel (A240)
9	RIVET	Stainless Steel (A582)
11	BOLT	Steel (A307)
12	NUT	Steel (A563)
14	DIFFUSER	Stainless Steel (A240)
29	PLUG	Brass (B505)
50	INTERFERENCE PIN	Stainless Steel (A582)

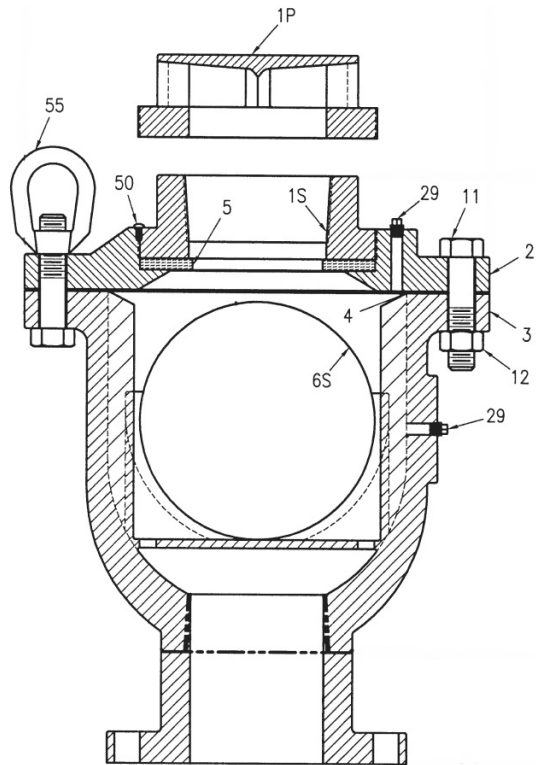


The A Series is available with a Bronze, Brass, Stainless Steel or Alloy Body

1"-4" Air & Vacuum Valves, AWWA C512

Parts List

ITEM	DESCRIPTION	MATERIAL
1S*	TOP	Cast Iron (A126 CL B)
1P**	PROTECTOP	Cast Iron (A126 CL B)
2	FLANGE	Cast Iron (A126 CL B)
3F	BODY	Cast Iron (A126 CL B)
4	GASKET	Armstrong N-8092
5***	SEAT	Buna-N Rubber (D2000)
6S	FLOAT	Stainless Steel (A240)
11	BOLT	Steel (A307)
12	NUT	Steel (A563)
29	PLUG	Brass (B505)
50	INTERFERENCE PIN	Stainless Steel (A582)
55	EYE BOLT	Steel (A563)



- \* Parts are interchangeable and optional at customer's request.
- \*\* Includes ANSI Cl. 125 or 250 companion Flg. and NPL
- \*\*\* Durometer changes when operating pressure is below 20psig or above 150psig.



<b>PRODUCT LINE</b> AL SERIES AIR & VACUUM VALVE, 1/2"-24"	<b>DATE</b> 10/17/2023	<b>REVISION</b> 0
<b>SHEET</b> Material Lists, Sizes 1/2"-4"	<b>DOC. NO.</b> D-AV-AL-.5-4-ML-r0	