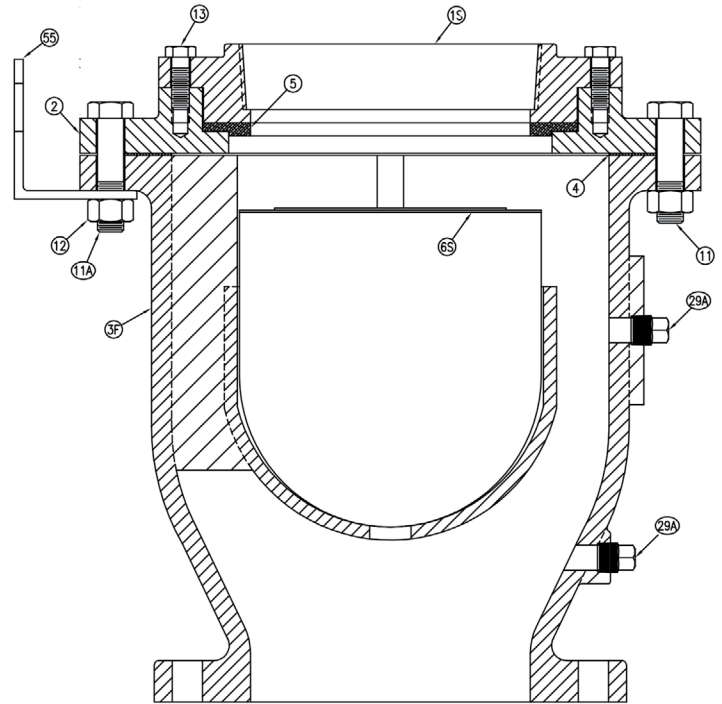


AL Series Air & Vacuum Valves, Sizes 1/2"-24", AWWA C512

6"-10" Air & Vacuum Valves, AWWA C512

Parts List

ITEM	DESCRIPTION	MATERIAL
1S*	TOP	Cast Iron (A126 CL B)
2**	FLANGE	Cast Iron (A126 CL B)
3F	BODY	Cast Iron (A126 CL B)
4	GASKET	Armstrong N-8092
5***	SEAT	Buna-N Rubber (D2000)
6S	FLOAT	Stainless Steel (A240)
11	BOLT	Steel (A307)
11A	BOLT	Steel (A307)
12	NUT	Steel (A563)
13	BOLT	Steel (A307)
29A	PLUG	Brass (B505)
55	LIFTING LUG	Steel (A36)



* Parts are interchangeable and optional at customer's request.

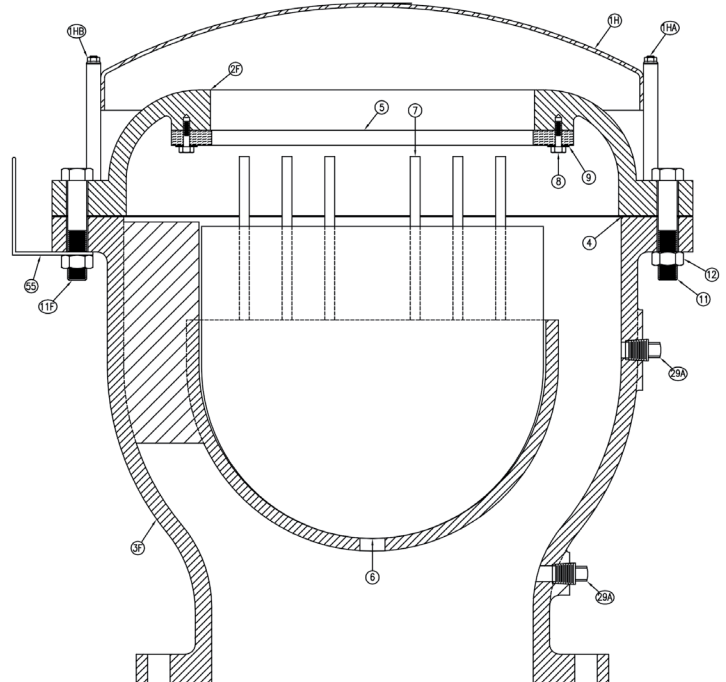
** Includes ANSI Cl. 125 or 250 companion Flg. and NPL

*** Durometer changes when operating pressure is below 20psig or above 150psig.

12"-24" Air & Vacuum Valves, AWWA C512

Parts List

ITEM	DESCRIPTION	MATERIAL
1H	HOOD ASSEMBLY	HRCQ Steel
1HA	HOOD STUD	Steel (A307)
1HB	HOOD NUT	Steel (A563)
2F	FLANGE	Cast Iron (A126 CL B)
3F	BODY	Cast Iron (A126 CL B)
4	GASKET	Armstrong N-8092
5***	SEAT	Buna-N Rubber (D2000)
6	FLOAT	Stainless Steel (A240)
7	FLOAT ROD GUIDE	Stainless Steel (A582)
8	SEAT BOLTS	Stainless Steel (A193)
9	WASHER	Stainless Steel (A240)
11	BOLT	Steel (A307)
11F	BOLT	Steel (A307)
12	NUT	Steel (A563)
29A	PLUG	Brass (B505)
55	LIFTING LUG	Steel (A36)



***Durometer changes when operating pressure is below 20psig or above 150psig.



PRODUCT LINE AL SERIES AIR & VACUUM VALVE, 1/2"-24"	DATE 10/17/2023	REVISION 0
SHEET Material Lists, Sizes 6"-24"	DOC. NO. D-AV-AL-6-24-ML-r0	