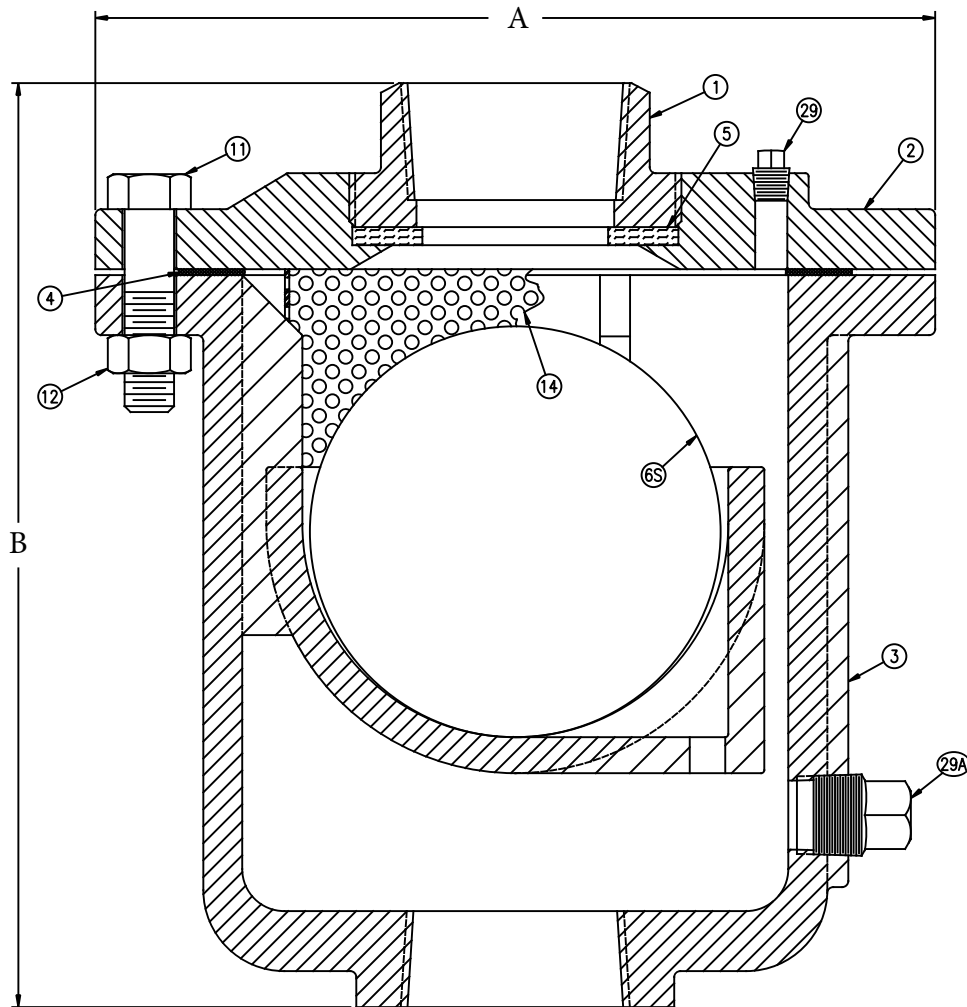


AL-D Series Air & Vacuum Valve with Diffuser, Sizes 1/2"-4," AWWA C512

AL-D Series Air & Vacuum Valve with Diffuser, Sizes 1/2"-4"



AL Series Parts List*

ITEM	DESCRIPTION	MATERIAL
1	TOP	Cast Iron (A126 Cl. B)
2	FLANGE	Cast Iron (A126 Cl. B)
3	BODY	Cast Iron (A126 Cl. B)
4	GASKET	Armstrong
5	SEAT	Buna-N Rubber
6S	FLOAT	Stainless Steel
11	BOLT	Steel
12	NUT	Steel
14	DIFFUSER	Stainless Steel
29	PLUG	Brass
29A	PLUG	Brass

* Includes Forged Steel Eye Nut on Sizes AL40-D, AL41-D and AL42-D

* AL21-D and AL22-D also have a Steel Nipple and a Cast Iron Companion Flange

* For Sizes 1"-4", a Protectop is optional.



PRODUCT LINE
AL-D SERIES AIR & VACUUM VALVE, 1/2"-4"
SHEET
AL-D Series Materials List

DATE
12/1/2023
REVISION
0
DOC. NO.
D-AV-AL-D-.5-4-ML-r0