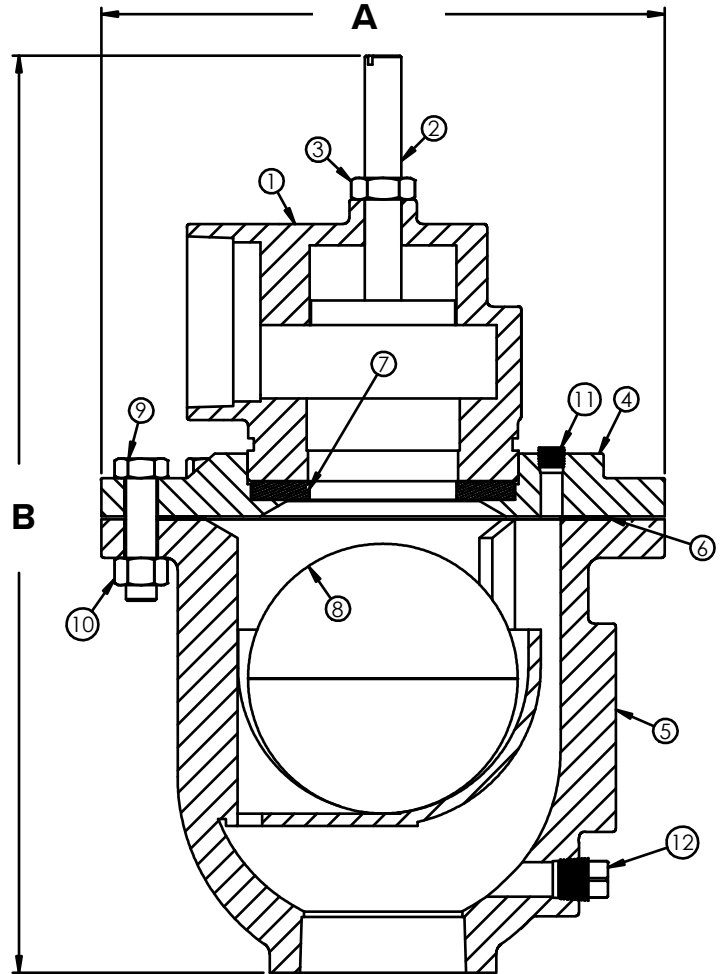


DL Series Deep Well Air & Vacuum Valve, Sizes 1/2"-6," AWWA C512

DL Series Dimensional Data

MODEL	INLET	OUTLET	TRIM	HT (B)	WD (A)	WT (LBS)
DL5	1/2" NPT	1/2" NPT	IBBT	7.25"	4.80"	4
DL10	1" NPT	1" NPT	S/S	9"	6.19"	18
DL20	2" NPT	2" NPT	S/S	14.5"	8.75"	50
DL21	2" 125# flg	2" NPT	S/S	17.25"	8.75"	55
DL22	2" 250# flg	2" NPT	S/S	16.18"	8.75"	50
DL30	3" NPT	3" NPT	S/S	18.75"	11.50"	92
DL31	3" 125# flg	3" NPT	S/S	24"	11.50"	114
DL32	3" 250# flg	3" NPT	S/S	24.25"	11.50"	119
DL40	4" NPT	4" NPT	S/S	24.50"	14"	187
DL41	4" 125# flg	4" NPT	S/S	27.50"	14"	195
DL42	4" 250# flg	4" NPT	S/S	27.75"	14"	204
DL61	6" 125# flg	6" NPT	S/S	32.25"	15.50"	252
DL62	6" 250# flg	6" NPT	S/S	32.50"	15.50"	269



Crispin's DL Series Deep Well Valves are available in pressure ratings of 2-40psi, 20-150psi or 151-300psi.

Certified dimensions are available upon request.

DL Series Parts List*

ITEM	DESCRIPTION	MATERIAL
1	DEEP WELL TOP	Cast Iron (A126 Cl. B)
2	DEEP WELL STEM	Steel
3	LOCK NUT	Steel
4	COVER FLANGE	Cast Iron (A126 Cl. B)
5	BODY	Cast Iron (A126 Cl. B)**
6	COVER GASKET	Armstrong
7	SEAT	Buna-N Rubber
8	FLOAT	Stainless Steel
9	COVER BOLT	Steel
10	COVER NUT	Steel
11	HEX SOCKET PLUG	Brass
12	BODY PLUG	Brass***

* Includes Steel Eye Nut and Lug Nut on Sizes DL32 and up

** Body also available in Ductile Iron (ASTM Gr 65-45-12)

** Body Plug is Cast Iron on Sizes DL61 and DL62



PRODUCT LINE	DATE	REVISION
DL SERIES DEEP WELL AIR & VACUUM VALVE	12/1/2023	0
SHEET	DOC. NO.	
DL Series Dimensions & Materials List	D-AV-DL-DIMS-ML-r0	