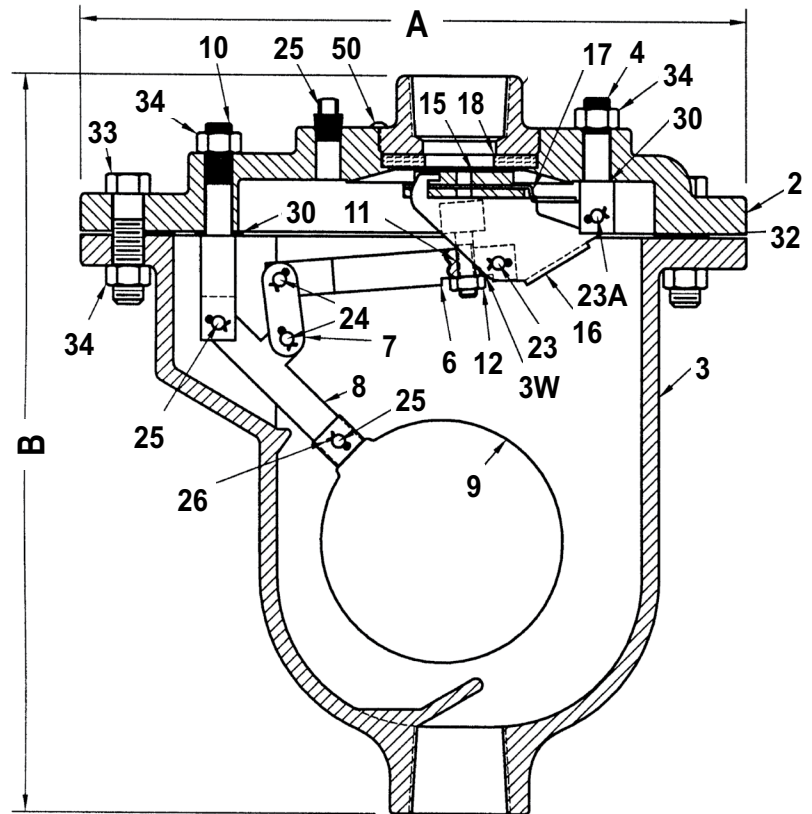


Dimensional Drawings & Parts, 1" UL Series Universal Air Release Valve, AWWA C512

1" Universal Air Release Valve, AWWA C512

| Parts List | | |
|------------|------------------|------------------------|
| ITEM | DESCRIPTION | MATERIAL |
| 1S | TOP | Cast Iron (A126 CL B) |
| 2 | FLANGE | Cast Iron (A126 CL B) |
| 3 | BODY | Cast Iron (A126 CL B) |
| 3W | LOCK WASHER | Stainless Steel (A240) |
| 4 | A&V FULCRUM | Stainless Steel (A240) |
| 6** | VALVE LEVER | Stainless Steel (A582) |
| 7 | LINK | Stainless Steel (A240) |
| 8 | BALL LEVER | Stainless Steel (A240) |
| 9 | BALL FLOAT | Stainless Steel (A240) |
| 10 | BALL FULCRUM | Stainless Steel (A582) |
| 11 | VALVE PLUNGER | Buna-N/SS (A193) |
| 12 | PLUNGER NUT | Stainless Steel (A194) |
| 15 | PRESSURE SEAT | Stainless Steel (A582) |
| 16 | PRESSURE FULCRUM | Stainless Steel (A240) |
| 17 | SEAT CAGE | Stainless Steel (A240) |
| 18 | A&V SEAT | Buna-N Rubber |
| 23 | BEARING PIN | Stainless Steel (A582) |
| 23A | BEARING PIN | Stainless Steel (A582) |
| 24 | BEARING PIN | Stainless Steel (A582) |
| 25 | BEARING PIN | Stainless Steel (A582) |
| 26 | COTTER PIN | Stainless Steel (A313) |
| 29 | DRAIN PLUG | Brass (B505) |
| 30 | FULCRUM WASHER | Fiber (D710) |
| 32 | FLANGE GASKET | Armstrong N-8092 |
| 33 | FLANGE BOLT | Steel (A307) |
| 34 | NUT | Steel (A563) |
| 50 | INTERFERENCE PIN | Stainless Steel (A582) |



| Orifice Options | | |
|-----------------|--------------|-----------|
| DIAMETER | MAX PRESSURE | FLOW RATE |
| 3/16" | 150 psig | 54.6 SCFM |
| 3/32" | 300 psig | 26.4 SCFM |

| Dimensions | | | | | |
|------------|------------|-------------|------|-------|----------|
| MODEL | INLET SIZE | OUTLET SIZE | A | B | WT (LBS) |
| UL10 | 1" NPT | 1" NPT | 9.75 | 10.75 | 27 |
| UL10.1 | 1" NPT | 1" NPT | 9.75 | 10.75 | 27 |

** Material for UL10.1 will be brass



| | | |
|---|--------------------------------------|----------------------|
| PRODUCT LINE UL Series Universal Air Release Valve, 1"-4" | DATE 6/6/2023 | REVISION 0 |
| SHEET 1" UL Series Dimensions and Parts | DOC. NO. D-AV-UL-1-DIMS-r0 | |