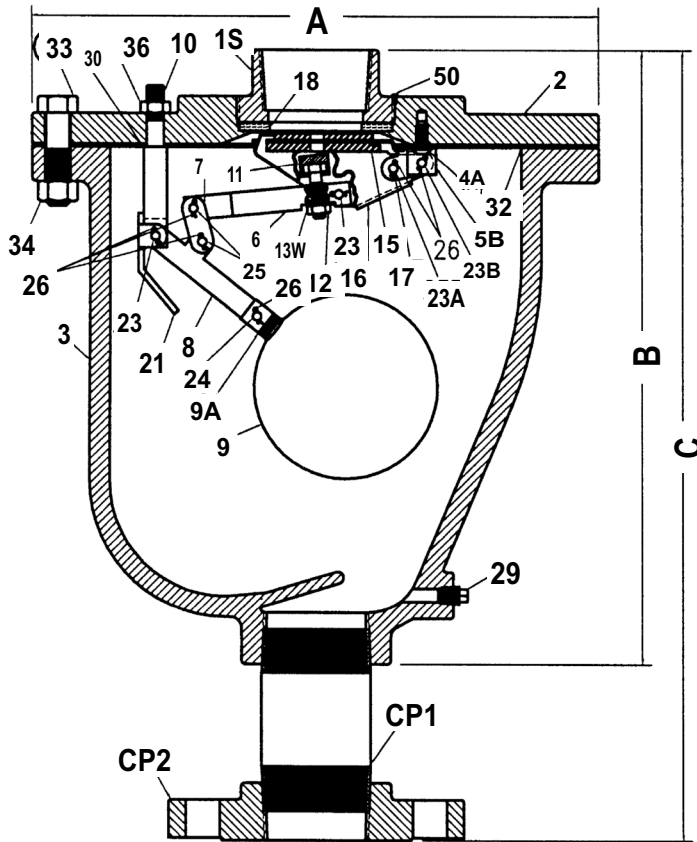


Dimensional Drawings & Parts, 2" UL Series Universal Air Release Valve, AWWA C512

2" Universal Air Release Valve, AWWA C512



** Material for UL20.1 will be brass

Orifice Options		
DIAMETER	MAX PRESSURE	FLOW RATE
1/4"	150 psig	98 SCFM
3/16"	250 psig	88 SCFM
1/8"	300 psig	46.7 SCFM

Flange Connection Parts		
ITEM	PART	MATERIAL
CP1	NIPPLE	Steel (A53)
CP2	COMPANION FLANGE	Cast Iron (A126 CL B)

* Includes ANSI Class 125 or 250 Companion Flange and Nipple

Parts List

ITEM	DESCRIPTION	MATERIAL
1S	TOP	Cast Iron (A126 CL B)
2	FLANGE	Cast Iron (A126 CL B)
3	BODY	Cast Iron (A126 CL B)
4A	CAP SCREW	Stainless Steel (A193)
5B	A&V FULCRUM	Stainless Steel (A240)
6**	VALVE LEVER	Stainless Steel (A582)
7	LINK	Stainless Steel (A240)
8	BALL LEVER	Stainless Steel (A240)
9	BALL FLOAT	Stainless Steel (A240)
9A	FLOAT ROD	Stainless Steel (A582)
10	BALL FULCRUM	Stainless Steel (A582)
11	VALVE PLUNGER	Buna-N/SS (A193)
12	PLUNGER NUT	Stainless Steel (A194)
13W	LOCK WASHER	Stainless Steel (A240)
15	PRESSURE SEAT	Stainless Steel (A582)
16	PRESSURE FULCRUM	Stainless Steel (A240)
17	SEAT CAGE	Stainless Steel (A240)
18	A&V SEAT	Buna-N Rubber
21	PRESSURE LIMIT STOP	Stainless Steel (A240)
23	BEARING PIN	Stainless Steel (A582)
23A	BEARING PIN	Stainless Steel (A582)
23B	BEARING PIN	Stainless Steel (A582)
24	BEARING PIN	Stainless Steel (A582)
25	BEARING PIN	Stainless Steel (A582)
26	COTTER PIN	Stainless Steel (A313)
29	DRAIN PLUG	Brass (B505)
30	FULCRUM WASHER	Fiber (D710)
32	FLANGE GASKET	Armstrong N-8092
33	FLANGE BOLT	Steel (A307)
34	NUT	Steel (A563)
36	BALL FULCRUM NUT	Steel (A563)
50	INTERFERENCE PIN	Stainless Steel (A582)

Dimensions

MODEL	INLET SIZE	OUTLET SIZE	A	B	C	WT (lbs)
UL20	2" NPT	2" NPT	12.50	13.50		72
UL20.1	2" NPT	2" NPT	12.50	13.50		72
UL21*	2" 125# F	2" NPT	12.50		17.00	78
UL21.1	2" 125# F	2" NPT	12.50		17.00	78
UL22	2" 250# F	2" NPT	12.50		17.25	89
UL22.1	2" 250# F	2" NPT	12.50		17.25	89



PRODUCT LINE	DATE	REVISION
UL Series Universal Air Release Valve, 1"-4"	6/6/2023	0
SHEET	DOC. NO.	
2" UL Series Dimensions and Parts	D-AV-UL-2-DIMS-r0	