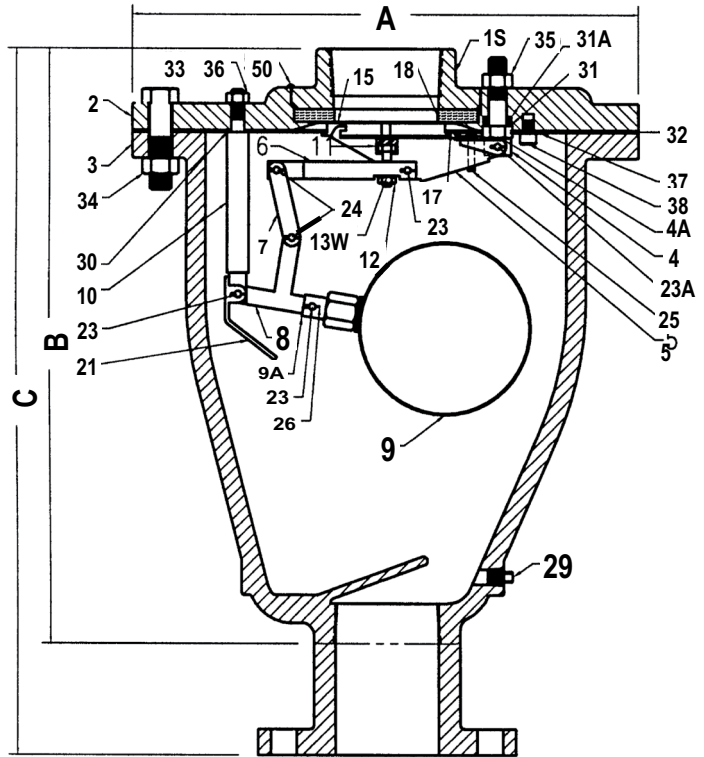


Dimensional Drawings & Parts, 3"-4" UL Series Universal Air Release Valve, AWWA C512

3"-4" Universal Air Release Valve, AWWA C512

Parts List

| ITEM | DESCRIPTION | MATERIAL |
|------|---------------------|------------------------|
| 1S | TOP | Cast Iron (A126 CL B) |
| 2 | FLANGE | Cast Iron (A126 CL B) |
| 3 | BODY | Cast Iron (A126 CL B) |
| 4 | A&V FULCRUM | Stainless Steel (A240) |
| 4A | FULCRUM BOLT | Stainless Steel (A193) |
| 5 | PRESSURE FULCRUM | Stainless Steel (A240) |
| 6** | VALVE LEVER | Stainless Steel (A582) |
| 7 | LINK | Stainless Steel (A240) |
| 8 | BALL LEVER | Stainless Steel (A240) |
| 9 | BALL FLOAT | Stainless Steel (A240) |
| 9A | FLOAT ROD | Stainless Steel (A582) |
| 10 | BALL FULCRUM | Stainless Steel (A582) |
| 11 | VALVE PLUNGER | Buna-N/SS (A193) |
| 12 | PLUNGER NUT | Stainless Steel (A194) |
| 13W | LOCK WASHER | Stainless Steel (A240) |
| 15 | PRESSURE SEAT | Stainless Steel (A582) |
| 17 | SEAT CAGE | Stainless Steel (A240) |
| 18 | A&V SEAT | Buna-N Rubber |
| 21 | PRESSURE LIMIT STOP | Stainless Steel (A240) |
| 23 | BEARING PIN | Stainless Steel (A582) |
| 23A | BEARING PIN | Stainless Steel (A582) |
| 24 | BEARING PIN | Stainless Steel (A582) |
| 25 | BEARING PIN | Stainless Steel (A582) |
| 26 | COTTER PIN | Stainless Steel (A313) |
| 29 | DRAIN PLUG | Brass (B505) |
| 30 | FULCRUM WASHER | Fiber (D710) |
| 31 | FULCRUM WASHER | Fiber (D710) |
| 31A | FULCRUM WASHER | Fiber (D710) |
| 32 | FLANGE GASKET | Armstrong N-8092 |
| 33 | FLANGE BOLT | Steel (A307) |
| 34 | NUT | Steel (A563) |
| 35 | A&V FULCRUM NUT | Steel (A563) |
| 36 | BALL FULCRUM NUT | Steel (A563) |
| 37 | ADJUSTING PLATE | Stainless Steel (A240) |
| 38 | BOLT | Stainless Steel (A193) |
| 50 | INTERFERENCE PIN | Stainless Steel (A582) |



** Material for UL30.1, UL31.1, UL40.1, UL41.1, UL21.1 will be brass

Dimensions

| MODEL | INLET SIZE | OUTLET SIZE | A | B | C | WT (lbs) |
|--------|------------|-------------|-------|-------|-------|----------|
| UL30 | 3" NPT | 3" NPT | 14.75 | 18.00 | | 114 |
| UL31 | 3" 125# F | 3" NPT | 14.75 | | 20.50 | 125 |
| UL32 | 3" 250# F | 3" NPT | 14.75 | | 21.00 | 131 |
| UL30.1 | 3" NPT | 3" NPT | 14.75 | 18.00 | | 114 |
| UL31.1 | 3" 125# F | 3" NPT | 14.75 | | 20.50 | 125 |
| UL32.1 | 3" 250# F | 3" NPT | 14.75 | | 21.00 | 131 |
| UL40 | 4" NPT | 4" NPT | 16.75 | 20.00 | | 162 |
| UL41 | 4" 125# F | 4" NPT | 16.75 | | 23.00 | 177 |
| UL42 | 4" 250# F | 4" NPT | 16.75 | | 23.25 | 188 |
| UL40.1 | 4" NPT | 4" NPT | 16.75 | 20.00 | | 162 |
| UL41.1 | 4" 125# F | 4" NPT | 16.75 | | 23.00 | 177 |
| UL42.1 | 4" 250# F | 4" NPT | 16.75 | | 23.25 | 188 |

Orifice Options

| DIAMETER | MAX PRESSURE | FLOW RATE |
|----------|--------------|-----------|
| 1/4" | 150 psig | 98 SCFM |
| 3/16" | 250 psig | 88 SCFM |
| 1/8" | 300 psig | 46.7 SCFM |



| | | |
|---|--|----------------------|
| PRODUCT LINE UL Series Universal Air Release Valve, 1"-4" | DATE 6/6/2023 | REVISION 0 |
| SHEET 3"-4" UL Series Dimensions and Parts | DOC. NO. D-AV-UL-3-4-DIMS-r0 | |