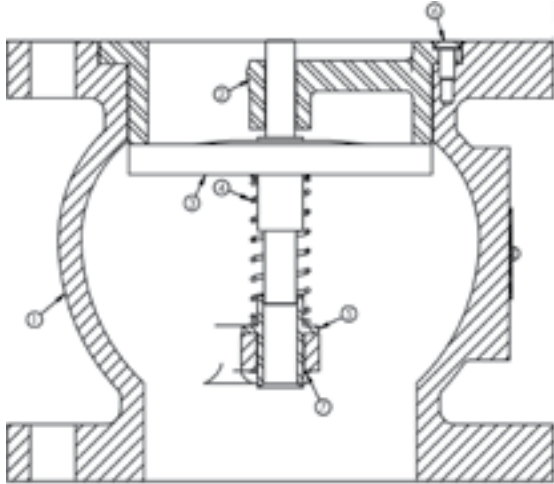
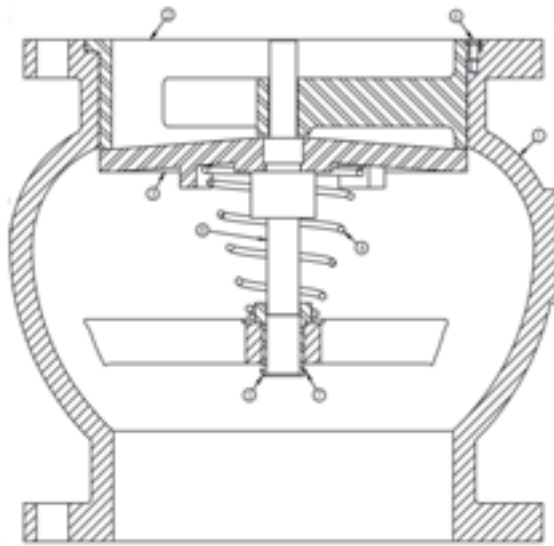


GC Series Globe Check Valves, Sizes 3"-36", CL 150 & 300

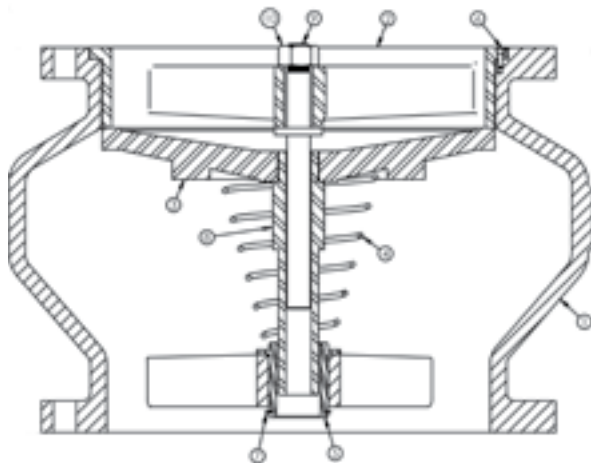
GC SERIES GLOBE CHECK VALVE MATERIALS LIST



GC Series, 3"-4" Materials List		
ITEM	DESC.	MATERIAL
1	BODY	Ductile Iron
2	SEAT RING*	Stainless Steel
3	DISC	Stainless Steel
4	SPRING	Stainless Steel
5	BUSHING	Stainless Steel
6	SCREW	Stainless Steel
7	RETAINING RING	Stainless Steel



GC Series, 6"-18" Materials List		
ITEM	DESC.	MATERIAL
1	BODY	Ductile Iron
2	SEAT RING*	Stainless Steel
3	DISC	Stainless Steel
4	SPRING	Stainless Steel
5	BUSHING	Stainless Steel
6	SCREW	Stainless Steel
7	RETAINING RING	Stainless Steel
8	SHAFT	Stainless Steel



GC Series, 20"-36" Materials List		
ITEM	DESC.	MATERIAL
1	BODY	Ductile Iron
2	SEAT RING*	Stainless Steel
3	DISC	Stainless Steel
4	SPRING	Stainless Steel
5	BUSHING	Stainless Steel
6	SCREW	Stainless Steel
7	RETAINING RING	Stainless Steel
8	SHAFT	Stainless Steel
9	SEAT SHAFT	Stainless Steel
10	SHAFT NUT	Stainless Steel

* For Valves with a Resilient Seat, the Seat Rings are Buna-N Rubber and Stainless Steel, or optional Viton.



PRODUCT LINE GC SERIES GLOBE CHECK VALVE, 3"-36"	DATE 1/18/2024	REVISION 0
SHEET GC Series Materials List	DOC. NO. D-CV-GC-ML-r0	