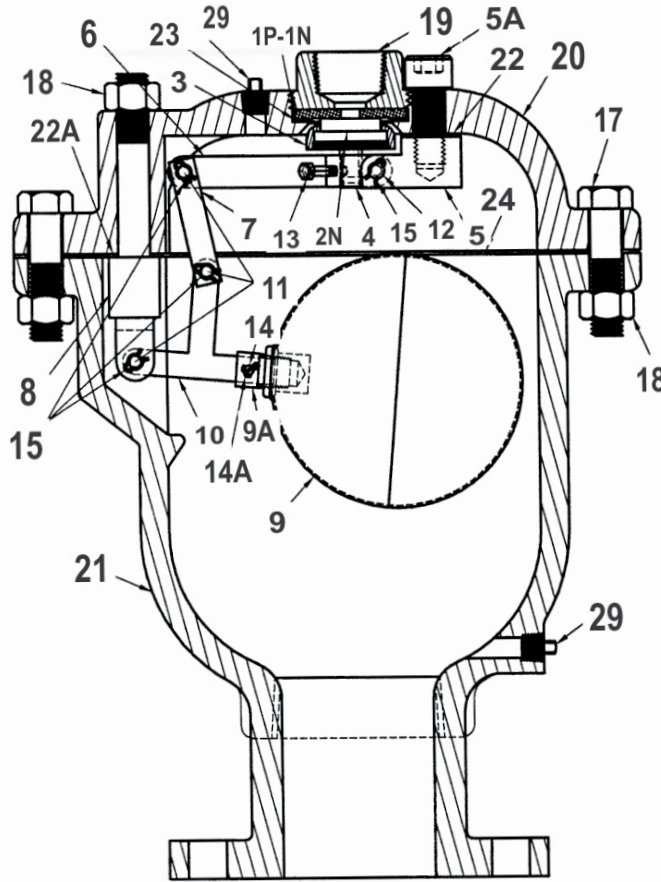


Materials List, P Series Pressure Air Release Valve, AWWA C512, Sizes 2 1/2"-4"

P SERIES PARTS LIST FOR 2 1/2"-4" VALVES



2 1/2", 3" & 4" P SERIES PARTS LIST

ITEM	DESCRIPTION	MATERIAL	ITEM	DESCRIPTION	MATERIAL
*1N	SEAT	PVC (ASTM 1784)	13	SCREW	Stainless Steel (A193)
*1P	SEAT	Stainless Steel (A240)	14	BEARING PIN	Stainless Steel (A582)
2N	ORIFICE VALVE	Buna-N (D2000)	14A	COTTER PIN	Stainless Steel (A313)
3	PLUNGER NUT	Brass (B584/C83600)	15	BEARING PIN CLIP	Stainless Steel (A582)
4	PLUNGER	Brass (B505)	17	BOLT	Steel (A307)
5	VALVE FULCRUM	Stainless Steel (A240)	18	NUT	Steel (A307)
5A	FULCRUM BOLT	Stainless Steel (A193)	19	TOP	Cast Iron (A126 CL. B)
6	VALVE LEVER	Stainless Steel (A240)	20	FLANGE	Cast Iron (A126 CL. B)
7	LINK	Stainless Steel (A240)	21	BODY	Cast Iron (A126 CL. B)
8	BALL FULCRUM	Stainless Steel (A582)	22	FULCRUM WASHER	Fiber
9	BALL FLOAT	Stainless Steel (A240)	22A	FULCRUM WASHER	Fiber
9A	FLOAT ROD	Stainless Steel (A240)	23	SEAT GASKET	Buna-N Rubber (D2000)
10	BALL LEVER	Stainless Steel (A240)	24	FLANGE GASKET	Armstrong (N-8092)
11	BEARING PIN	Brass (B505)	29	PLUG	Brass (B505)
12	BEARING PIN	Brass (B505)			

* Parts interchangeable & optional at customer's request.



PRODUCT LINE P Series Pressure Air Release Valve	DATE 6/6/2023	REVISION 0
SHEET P Series, Material List, 2 1/2" -4"	DOC. NO. DW-AV-P-2.5-4-ML-r0	