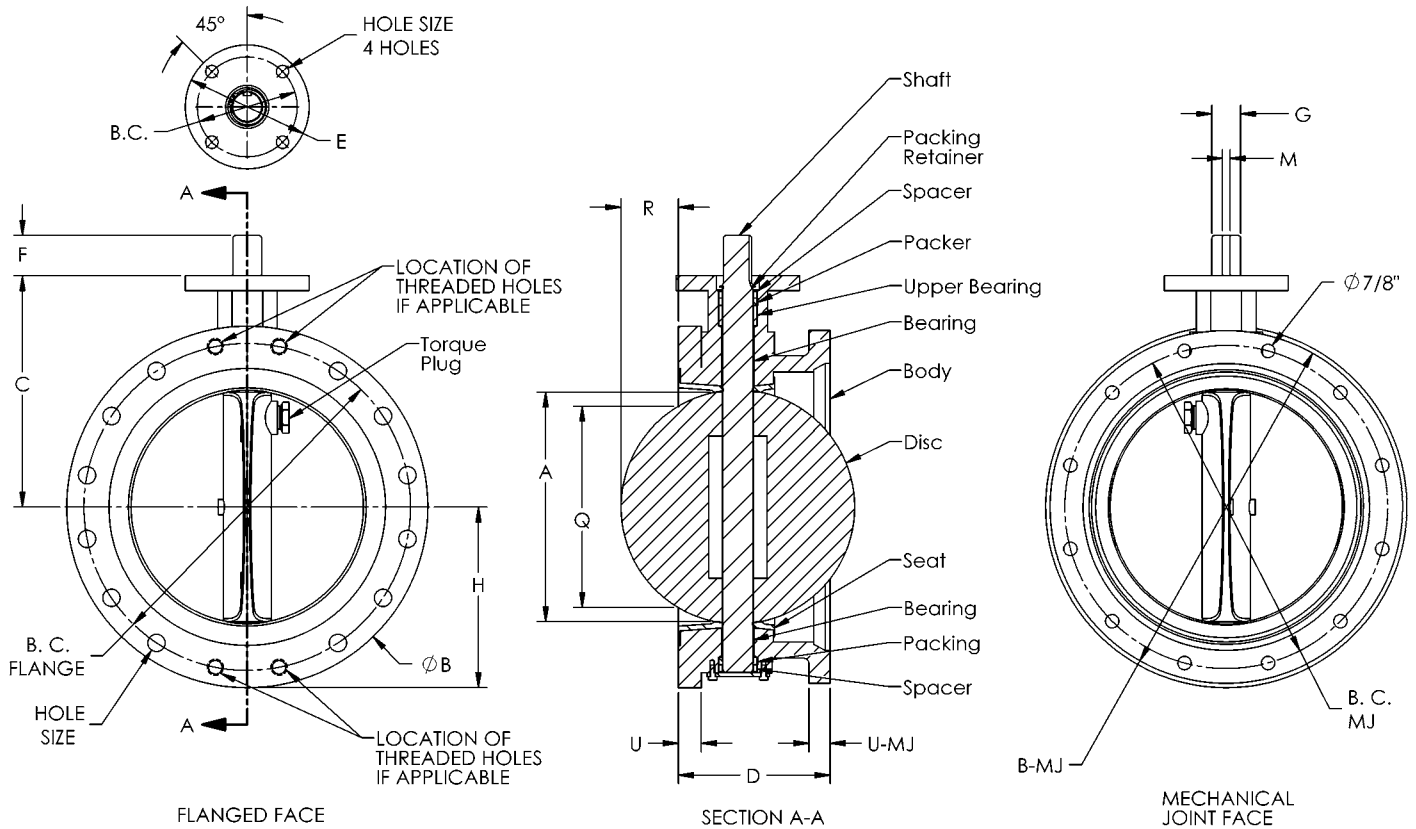


# Dimensional Drawings for K-Flo Series 509 Butterfly Valves, ANSI CL 25, AWWA C504 CL 150B+



## K-Flo Model 509 Class (Flanged x Mechanical Joint\*)

ALL DIMENSIONS ARE IN INCHES

Size	A	B	C	D	E	F	G	H	M Key	Q	R	U
6	5 1/2	11	8	6 13/16	6	2 1/16	1 1/8	6	1/4 sq	2 3/4	5/16	1 1/8
8	7 1/2	13 1/2	9 1/2	7	6	2	1 1/8	6 7/8	1/4 sq	4 7/8	13/16	1 1/8
12	11 3/8	19	12 1/4	8 1/2	6	2 9/16	1 3/8	9 1/2	5/16 sq	8 3/8	1 11/16	1 1/2
16	15 1/8	23 1/2	15	9 7/8	8	2 11/16	1 7/8	11 3/4	1/2x3/8	13 1/8	3 5/8	2

In inches	TOP PLATE			FLANGE FACE					MECHANICAL JOINT FACE			
Size	Bolt Circle	Hole Size	ISO 5211	Bolt Circle	# of Holes	Hole Size	Tap'd Holes	Thread Size	B-MJ	U-MJ	B.C. MJ	# of Holes
6	4.921	9/16	F 12	9 1/2	8	7/8	n/a	n/a	11 1/2	1	9 1/2	6
8	4.921	9/16	F 12	11 3/4	8	7/8	n/a	n/a	13 3/4	1 1/8	11 3/4	6
12	4.921	9/16	F 12	17	12	1	n/a	n/a	18 5/16	1 1/4	16 1/4	8
16	6.496	13/16	F 16	21 1/4	16	1 1/8	4	1"-8	22 15/16	1 3/8	21	12

\* Flange drilling per ANSI B16.1 Class 125 and AWWA C1 D; Mechanical Joint dimensions conform to ANSI/AWWA C111/A21.11  
 \*\*Q = min. allowable inside pipe diameter at centered body face to protect disc sealing edge from damage when opening valve

Certified Dimensions Available Upon Request.



<b>PRODUCT LINE</b> 509 SERIES BUTTERFLY VALVE, 6"-16"	<b>DATE</b> 11/30/22	<b>REVISION</b> 0
<b>SHEET</b> Dimensional Drawings	<b>DRWG. NO.</b> DW-BF-509-DIMS-FLMJ-r1	