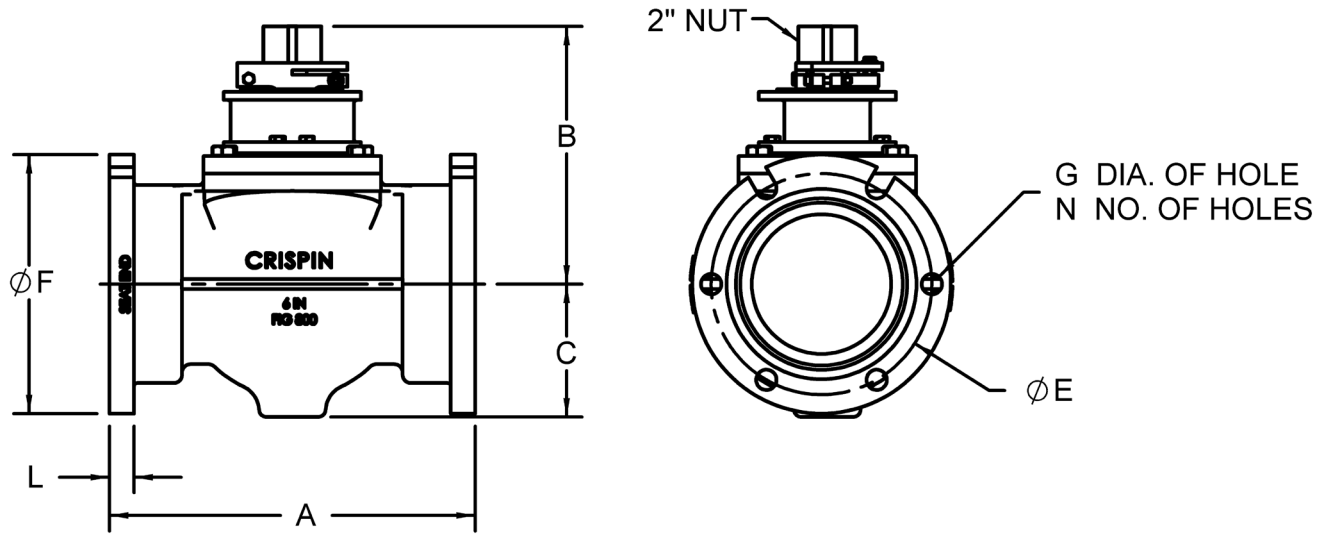


Dimensional Drawings, K-Flo 800 Series Plug Valve, AWWA C517, 3"-12"

Mechanical Joint with 2" Direct Nut: Sizes 3"-12" Available



MODEL	SIZE"	A	B	C	E	F	G	N	L
KG0386A	3	11.50	8.58	3.50	6.19	7.69	0.75	4	0.94
KG0486A	4	14.25	9.54	4.89	7.50	9.00	0.88	4	1.00
KG0686A	6	15.75	11.08	5.71	9.50	11.13	0.88	6	1.06
KG0886A	8	17.37	13.72	7.64	11.75	13.38	0.88	6	1.13

All Crispin/KFlo 800 Series Eccentric Plug Valves are fully compliant with AWWA C517 Standards. While standard in Class 125, they can also be manufactured to Class 250 specifications. Please contact the factory for more details.

Certified Dimensions Available Upon Request.



PRODUCT LINE K-Flo 800 Series Plug Valve, 2 1/2"-12"	DATE 12/2/22	REVISION 0
SHEET Dimensional Drawings: MJ w/BS	DOC. NO. DW-PV-800-DIMS-MJBS-r1	