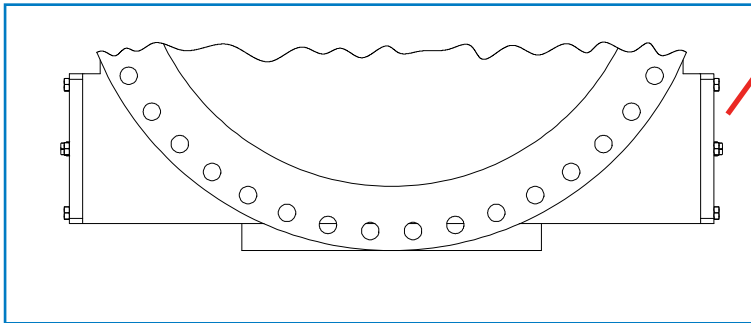


# L14 SERIES Double Disc Gate Valve Sizes 14"-108"

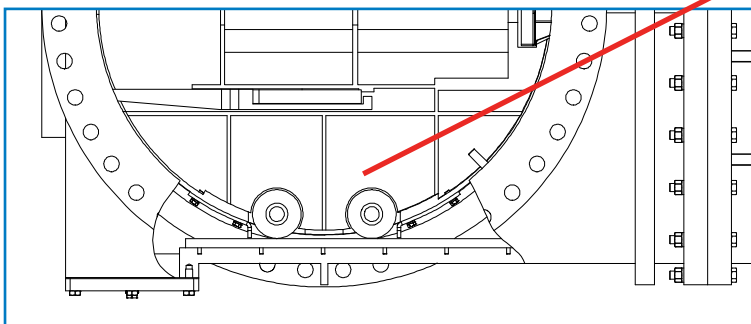
In the closing operation, the short side of the wedge quickly adjusts itself to its gate on a rocker bearing, and as the last turn of the stem acts only on the long or powerful side of the wedge, the gates are wedged powerfully with the application of very little force to the handwheel or nut.

Ludlow-Rensselaer gates may be placed in any position, and owing to the combination of the mechanical principles of the independently moving gate with the abrupt wedge, whereby the long and powerful wedge is used only for closing, and the short or abrupt wedge only for opening, we guarantee that Rensselaer valves may be operated in any position easier than valves of any other manufacturer, and if they can be placed with the short wedge gate toward the pressure, this additional advantage is gained over valves of other manufacturers, and the bother and expense of operating bypasses is avoided.

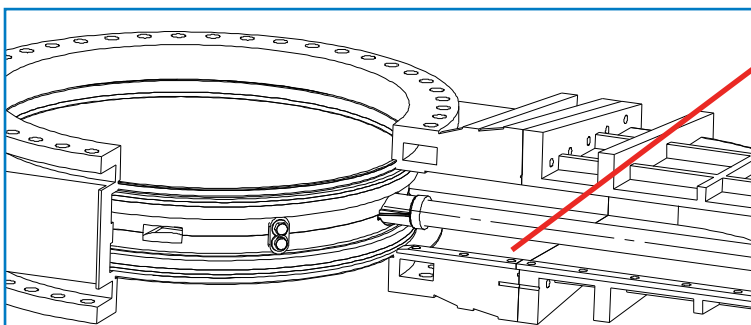
## Installation Configurations



**Vertical Orientation**—Flushing/Clean-Out Ports cast into the Inverts on the bottom of the body when the valve is installed vertically in the pipeline allow for access to clean the lower trough while under pressure in a closed position.



**Horizontal Pipelines**—Rollers, tracks and scrapers are furnished on L/R valves with stems in a horizontal position, and gates are on edge (or on side), in a horizontal pipeline. The rollers and track support both gates in the entire length of travel, and the scrapers attached ahead and behind, the rollers clear the track of any obstruction or sediment. The rollers on tracks also maintain a smooth operating function, keeping the disc centered for proper seating alignment



**Horizontal Flat Orientation**—Face tracks are installed on L/R valves which are to operate with stems in a horizontal position, and gates are on their face in a vertical pipeline. The track supports the gate throughout the entire length of travel to prevent distortion, vibration, chatter and other movement, or ring scoring.