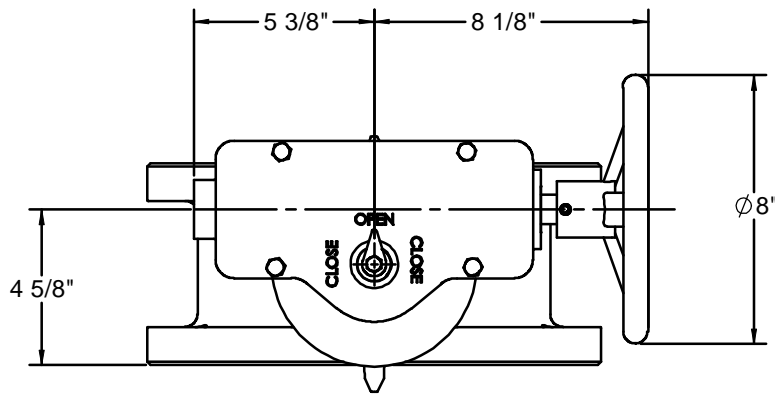
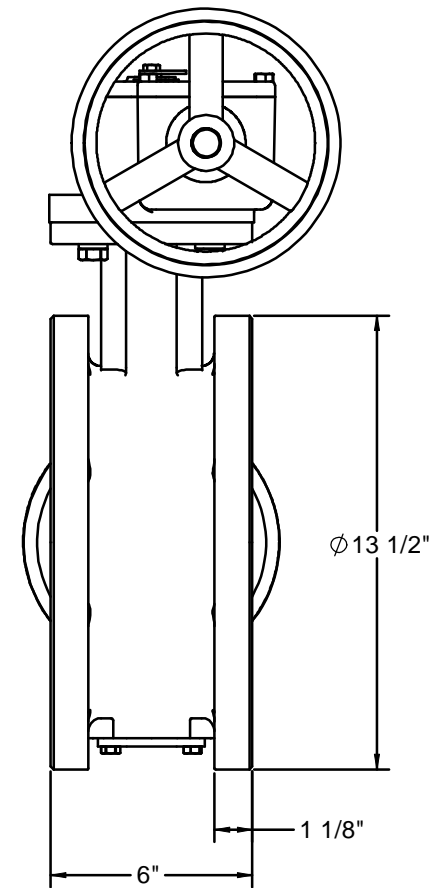
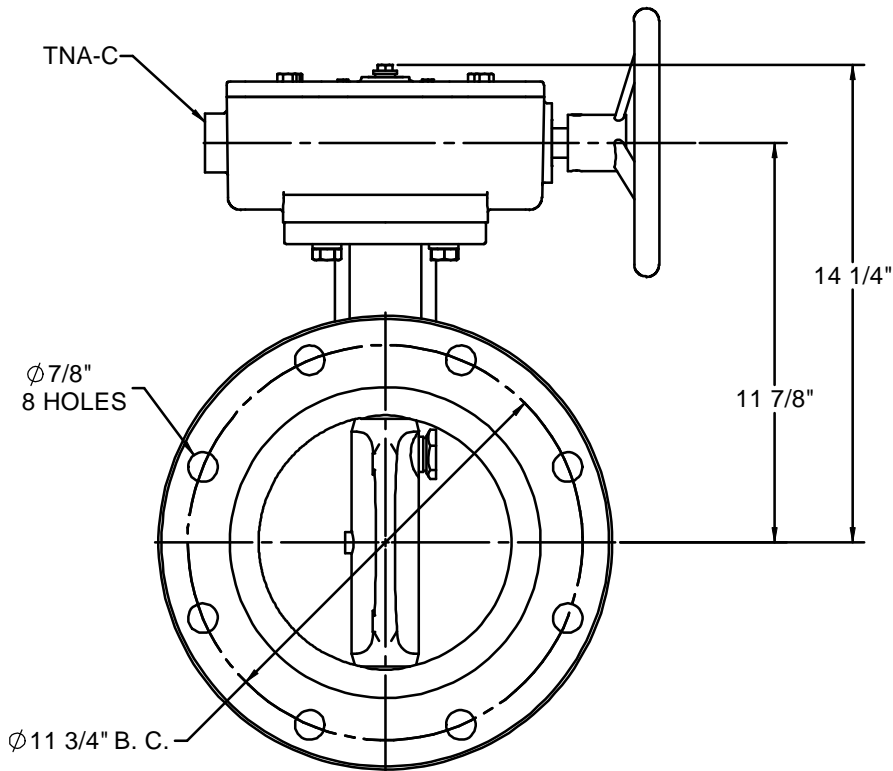
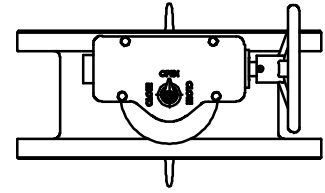


# 8"-504HP WITH TNA OPERATOR AND HANDWHEEL



## ◆ OPTIONAL CONFIGURATION



### NOTES:

1. 250 PSIG MAXIMUM WORKING PRESSURE.
2. THIS VALVE CONFORMS TO AWWA C504.
3. FLANGES AND DRILLING PER ANSI 16.1 CLASS 125.
4. ASTM A536 GR. 65-45-12 DUCTILE IRON BODY.  
ASTM A351-CF8M TYPE 316 STAINLESS DISC.  
ASTM A564 TYPE 630 (17-4PH) STAINLESS STEEL SHAFT.
5. VALVE IS DESIGNED FOR BI-DIRECTIONAL FLOW.
6. VALVE MAY BE INSTALLED WITH SHAFT IN EITHER HORIZONTAL OR VERTICAL POSITION.
7. ALL DIMENSIONS ARE IN INCHES.
8. VALVE WILL BE COATED WITH 8 MILS EPOXY.

**K-FLO**  
 BUTTERFLY VALVES  
 BY  
 CRISPIN VALVES  
 8"-504HP SERIES  
 BUTTERFLY VALVE  
 TNA OPERATOR

REDRAWN: \_\_\_\_\_  
 CHECKED: \_\_\_\_\_  
 DRAWN: C. GEARY 02/17/10

SIZE **C** HW 08-504HP TNA REV 1