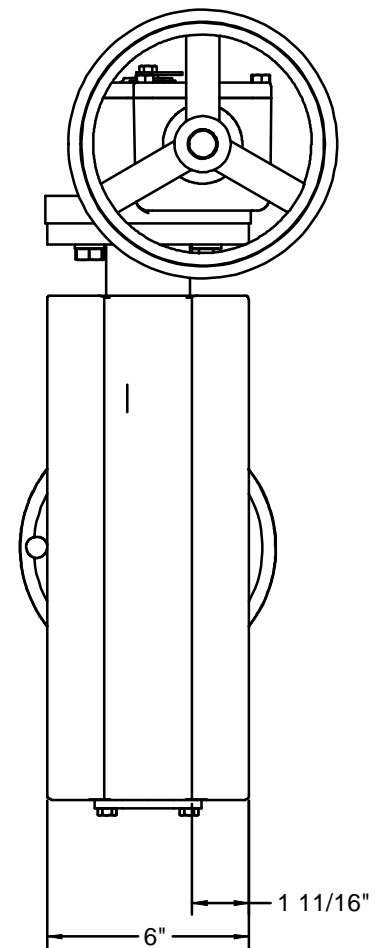
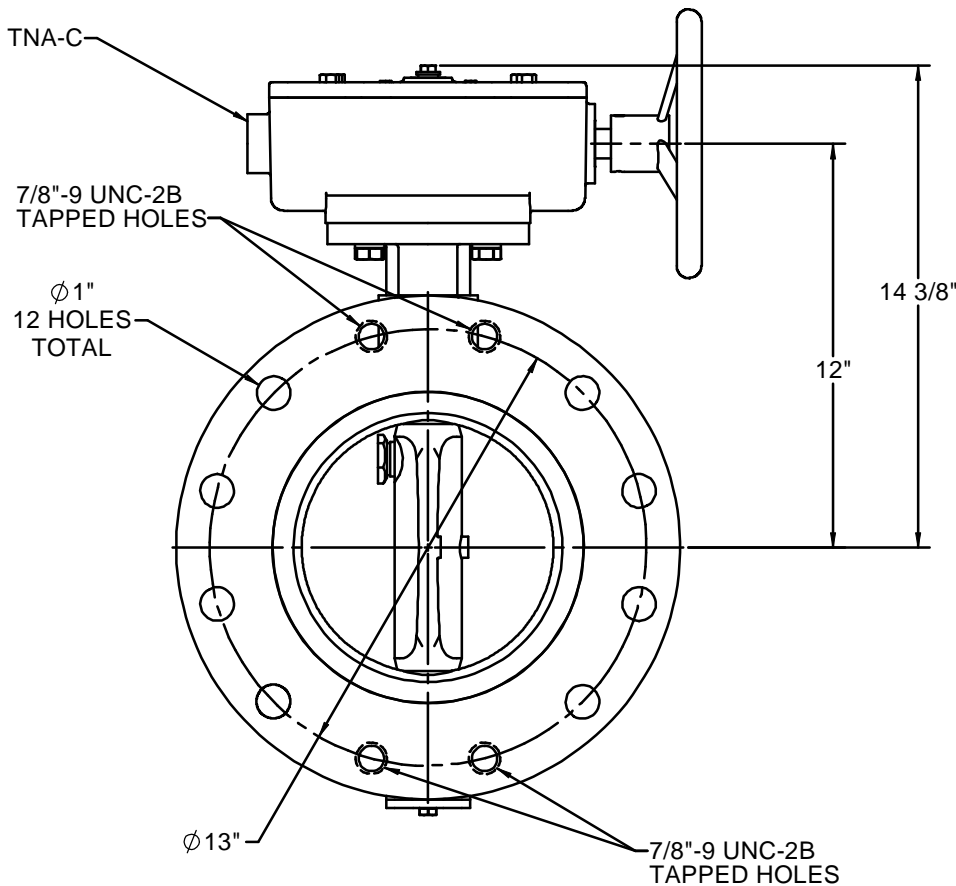
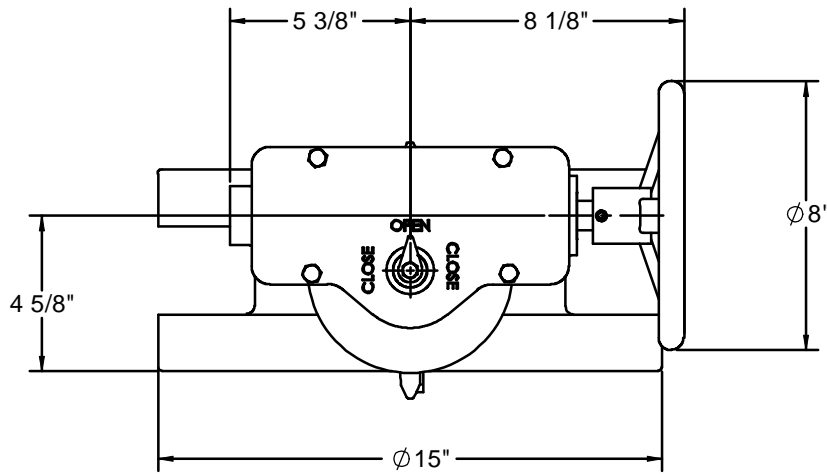
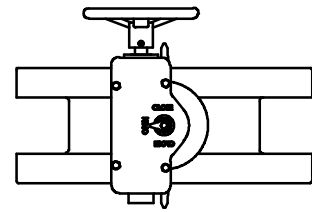


8"-507 WITH TNA OPERATOR AND HANDWHEEL

◆ OPTIONAL CONFIGURATION



NOTES:

1. 250 PSIG MAXIMUM WORKING PRESSURE.
2. THIS VALVE CONFORMS TO AWWA C504.
3. FLANGES AND DRILLING PER ANSI 16.42 CLASS 300.
4. ASTM A536 GR. 65-45-12 DUCTILE IRON BODY.
ASTM A351-CF8M TYPE 316 STAINLESS DISC.
ASTM A564 TYPE 630 (17-4PH) STAINLESS STEEL SHAFT.
5. VALVE IS DESIGNED FOR BI-DIRECTIONAL FLOW.
6. VALVE MAY BE INSTALLED WITH SHAFT IN EITHER HORIZONTAL OR VERTICAL POSITION.
7. ALL DIMENSIONS ARE IN INCHES.
8. VALVE EXTERIOR WILL BE COATED WITH 8 MILS EPOXY.

K-FLO
 BUTTERFLY VALVES
 BY
 CRISPIN VALVES

8"-507 SERIES
 BUTTERFLY VALVE
 TNA OPERATOR

REDRAWN:		SIZE	C	REV	1
CHECKED:					
DRAWN: C. GEARY	02/17/10				