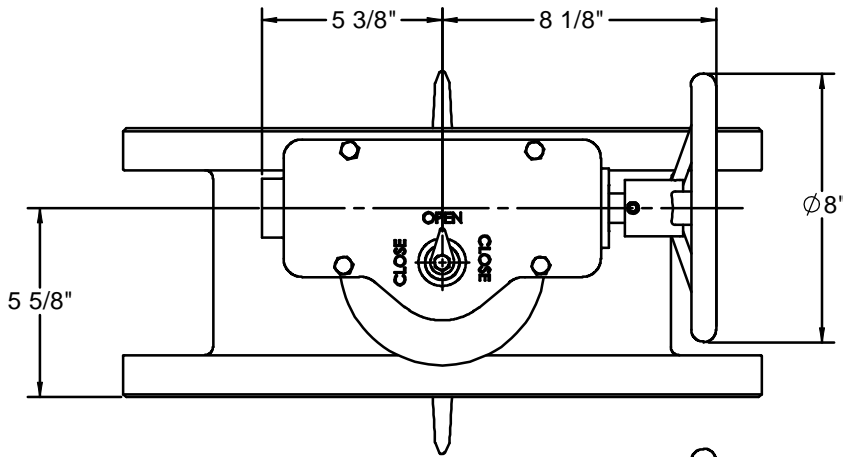
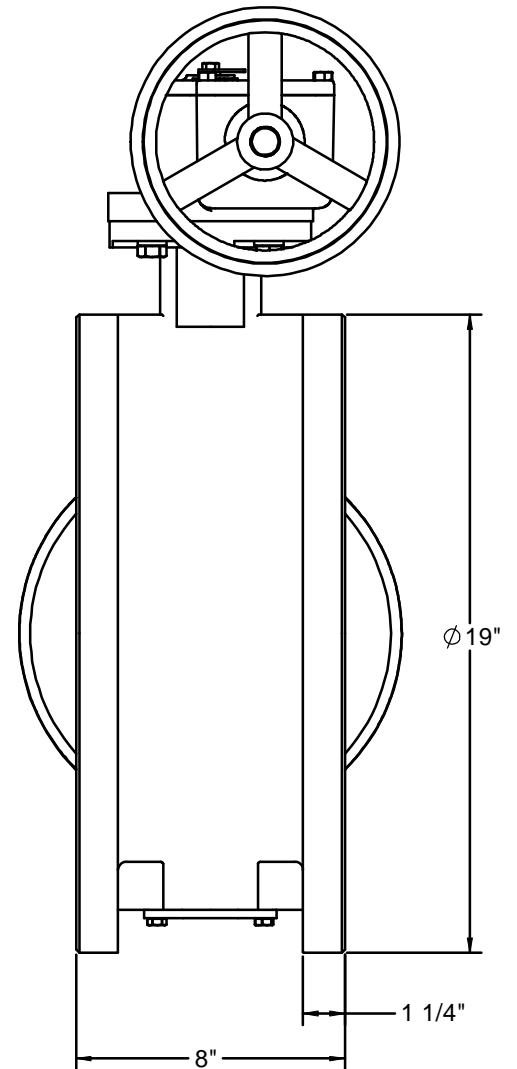
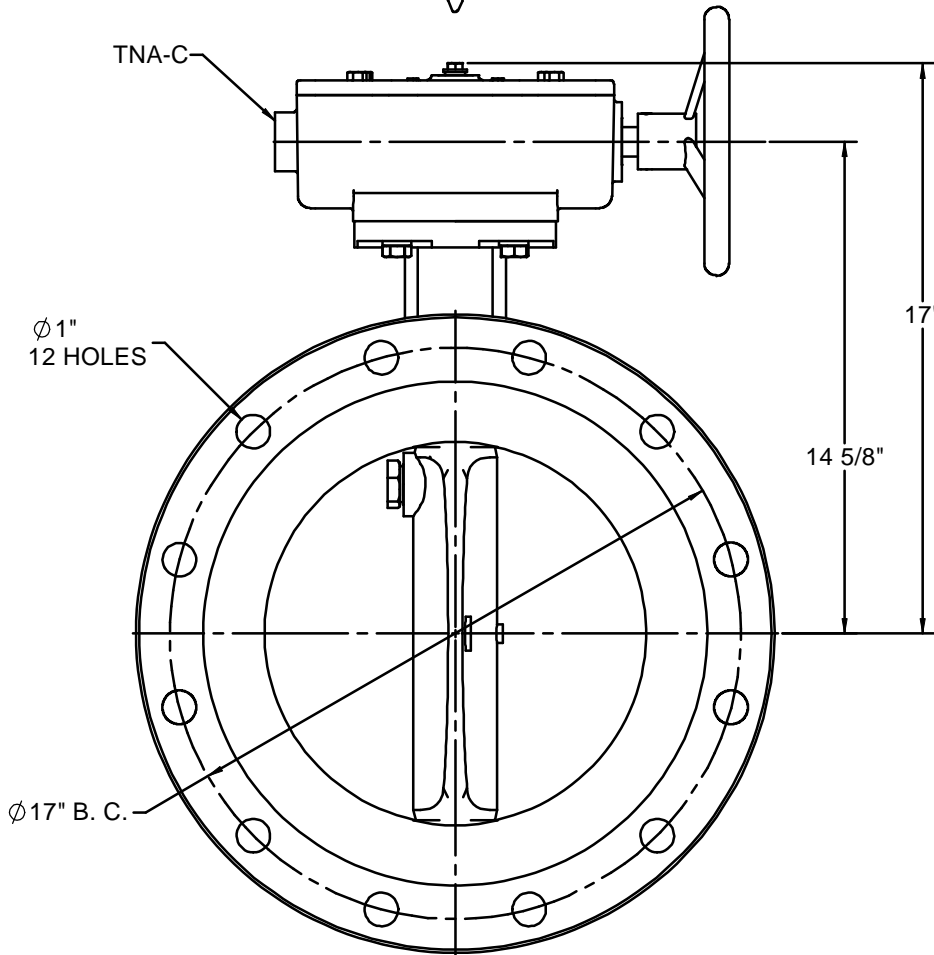
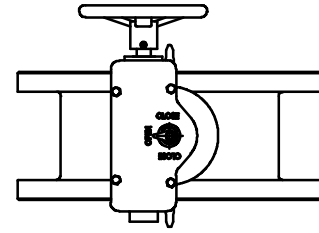


12"-504 WITH TNA OPERATOR AND HANDWHEEL



◆ OPTIONAL CONFIGURATION



NOTES:

1. 150 PSIG MAXIMUM WORKING PRESSURE.
2. THIS VALVE CONFORMS TO AWWA C504.
3. FLANGES AND DRILLING PER ANSI 16.1 CLASS 125.
4. ASTM A126 GL. B CAST IRON BODY.
ASTM A536 GR. 65-45-12 DUCTILE IRON DISC WITH 316 SST EDGE.
ASTM A276 TYPE 304 STAINLESS STEEL SHAFT.
5. VALVE IS DESIGNED FOR BI-DIRECTIONAL FLOW.
6. VALVE MAY BE INSTALLED WITH SHAFT IN EITHER HORIZONTAL OR VERTICAL POSITION.
7. ALL DIMENSIONS ARE IN INCHES.
8. VALVE DISC AND EXTERIOR WILL BE COATED WITH 8 MILS EPOXY.

REDRAWN: _____
 CHECKED: _____
 DRAWN: C. GEARY 02/17/10

K-FLO
 BUTTERFLY VALVES
 BY
 CRISPIN VALVES
 12"-504 SERIES
 BUTTERFLY VALVE
 TNA OPERATOR

SIZE **C** HW 12-504 TNA REV **1**