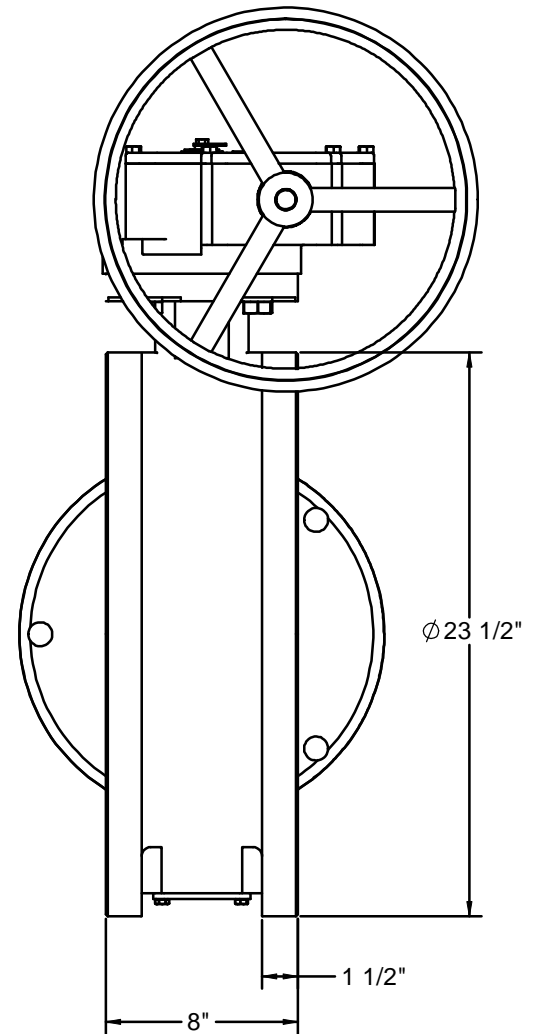
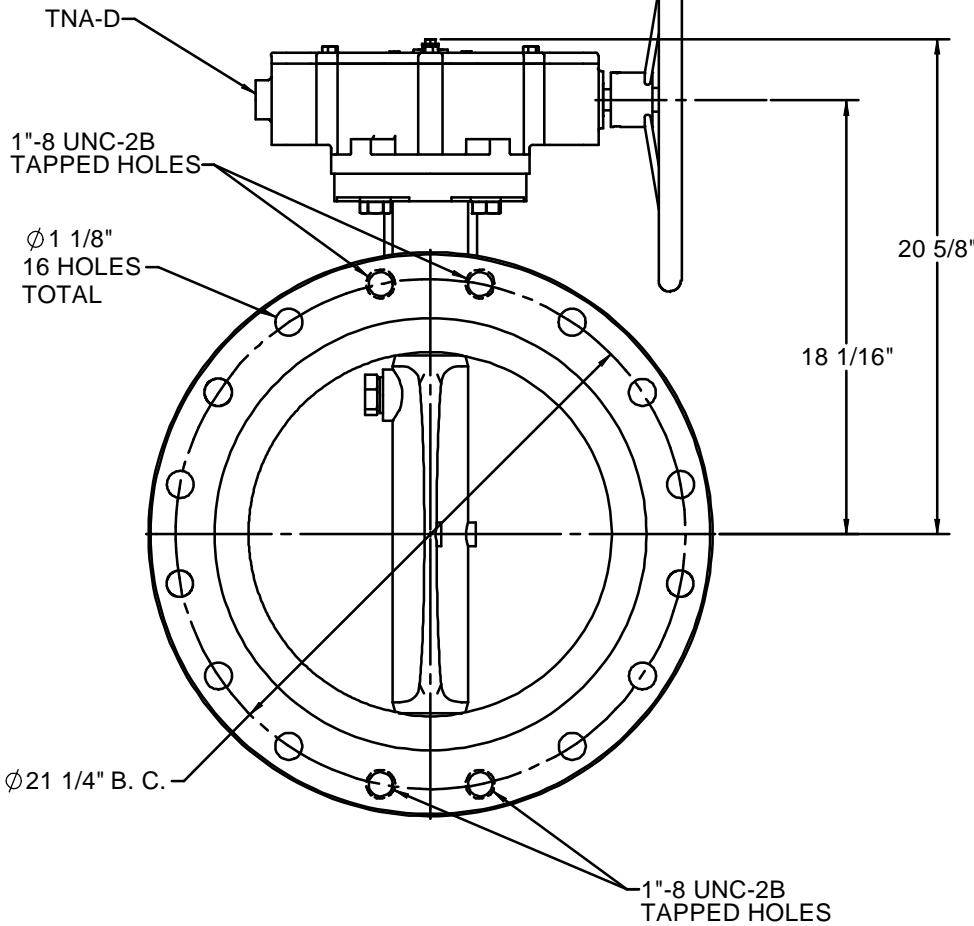
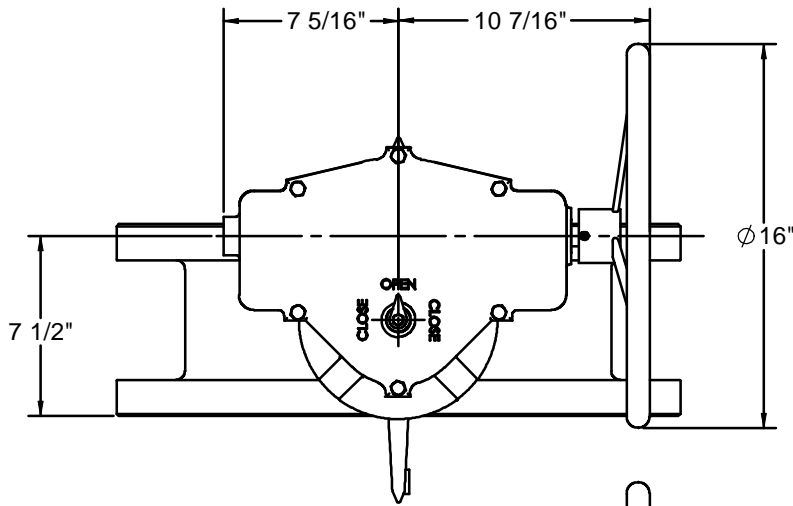
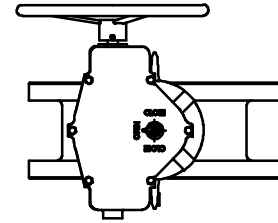


# 16"-504 WITH TNA OPERATOR AND HANDWHEEL

◆ OPTIONAL CONFIGURATION



**NOTES:**

1. 150 PSIG MAXIMUM WORKING PRESSURE.
2. THIS VALVE CONFORMS TO AWWA C504.
3. FLANGES AND DRILLING PER ANSI 16.1 CLASS 125.
4. ASTM A126 GL. B CAST IRON BODY.  
ASTM A536 GR. 65-45-12 DUCTILE IRON DISC WITH 316 SST EDGE.  
ASTM A276 TYPE 304 STAINLESS STEEL SHAFT.
5. VALVE IS DESIGNED FOR BI-DIRECTIONAL FLOW.
6. VALVE MAY BE INSTALLED WITH SHAFT IN EITHER HORIZONTAL OR VERTICAL POSITION.
7. ALL DIMENSIONS ARE IN INCHES.
8. VALVE DISC AND EXTERIOR WILL BE COATED WITH 8 MILS EPOXY.

REDRAWN: \_\_\_\_\_  
 CHECKED: \_\_\_\_\_  
 DRAWN: C. GEARY 02/17/10

<b>K-FLO</b>			
BUTTERFLY VALVES			
BY			
CRISPIN VALVES			
16"-504 SERIES			
BUTTERFLY VALVE			
TNA OPERATOR			
SIZE	C	HW 16-504 TNA	REV
			1