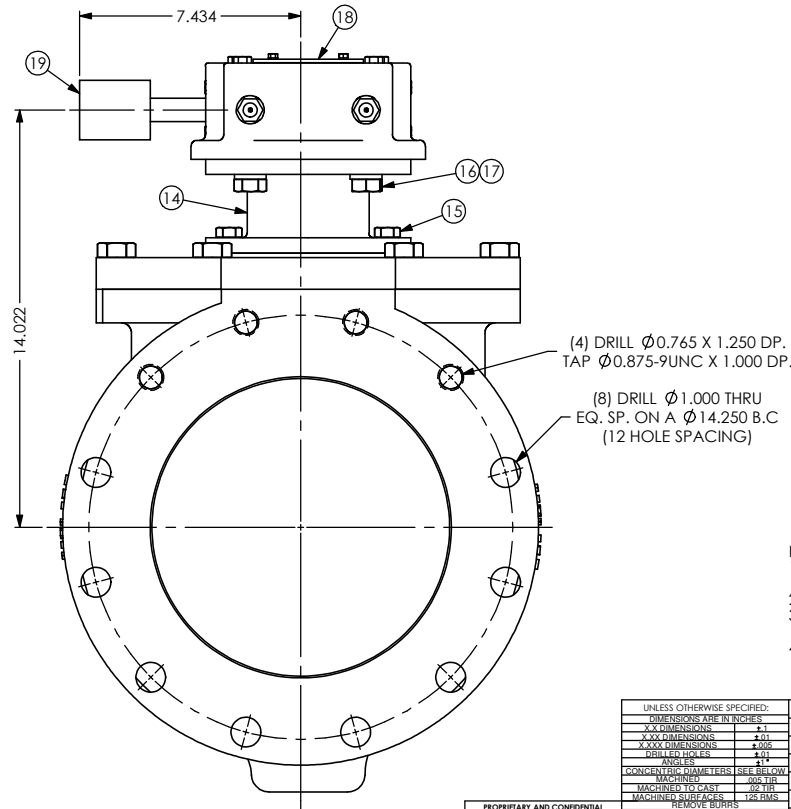
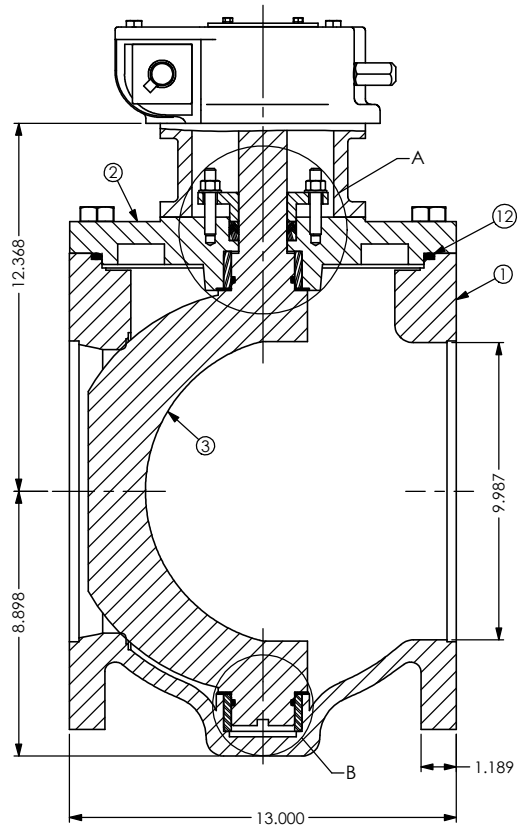


DETAIL A  
SCALE 1 : 2

DETAIL B  
SCALE 1 : 2

PARTS LIST				
ITEM NO.	PART NUMBER	DESCRIPTION	MATERIAL	QTY.
1	010PVBBFF301	VALVE BODY	CAST IRON A126 CL. B	1
2	010PVPC301	COVER	CAST IRON A126 CL. B	1
3	010PVRP316	MOLDED PLUG	A536 Gr 65-45-12/ BUNA-N	1
4	010PVPG301	PACKING GLAND	CAST IRON A126 CL. B	1
5	008PVPP309	V-RING PACKING SET	BUNA-N RUBBER	1
6	008PVGK311	THRUST WASHER	PTFE	2
7	008PVS326	SLEEVE BEARING	316 SS, SINTERED	2
8	AS568A-224	SLEEVE O-RING -224	BUNA-N RUBBER	2
9	20147	GLAND STUD	304 STAINLESS STEEL	2
10	FHN.375-16	GLAND NUT	304 STAINLESS STEEL	2
11	FW.375	FLAT WASHER	304 STAINLESS STEEL	2
12	AS568A-451	COVER O-RING, -451	BUNA-N RUBBER	1
13	HHCS.75X1.75	COVER BOLT	304 STAINLESS STEEL	6
14	010PVNS301	MOUNTING ADAPTER	CAST IRON A126 CL. B	1
15	HHCS.5X1.25	ADAPTER BOLT	304 STAINLESS STEEL	4
16	HHCS.625X1.25	OPERATOR BOLT	304 STAINLESS STEEL	4
17	LW.625	LOCK WASHER	304 STAINLESS STEEL	4
18	AB880G	WORM GEAR	PER MANUFACTURER	1
19	4315005002000	2" NUT	PER MANUFACTURER	1



- NOTES:
- MAX. WORKING PRESSURE: 175 PSIG  
HYDROSTATIC TEST PRESSURE: 350 PSIG
  - FLANGE AND DRILLING PER ANSI B16.1 CL 125
  - VALVE WILL BE COATED IN ACCORDANCE WITH CUSTOMER SPECIFICATIONS.
  - MANUFACTURED IN ACCORDANCE WITH ANSI/AWWA C517, LATEST REVISION.

PROPRIETARY AND CONFIDENTIAL  
THE INFORMATION CONTAINED IN THIS DRAWING IS THE SOLE PROPERTY OF CRISPIN VALVES. ANY REPRODUCTION IN PART OR AS A WHOLE WITHOUT THE WRITTEN PERMISSION OF CRISPIN VALVES IS PROHIBITED.  
DO NOT SCALE DRAWING

UNLESS OTHERWISE SPECIFIED:		NAME	DATE
DIMENSIONS ARE IN INCHES:		DRAWN	D.J.F
XXX DIMENSIONS	± .1	CHECKED	-
XX.XX DIMENSIONS	± .05	ENG APPR.	-
XX.XXX DIMENSIONS	± .01	MFG APPR.	-
DRILLED HOLES	± .01	D.A.	-
ANGLES	± .1		
CONCENTRIC DIAMETERS: SEE BELOW			
TOLERANCES UNLESS OTHERWISE SPECIFIED:			
MACHINED TO CAST: .0015" / .002" / .0025"			
MACHINED SURFACES: .125 RMS / .125 RMS / .125 RMS			
REMOVE BURRS			
BREAK SHARP EDGES			
MATERIAL:		FILE LOCATION:	
FINISH:		\\S21\subshop-Rto_Data\PLUG VALVE\Fig 800 Production Drawings\Fig 800 Software\Fig 800 Assemblies\Plug Valves - Gearboxes\PV-W- Rotork\FILE NAME: 907869	

**CRISPIN VALVES**

TITLE:  
10"-800 CL. 125 FLANGED PLUG VALVE W/ ROTORK AB880G-FA14 OPERATOR & 2" NUT

SIZE	DWG. NO.	REV
C	9078689	0
SCALE: 0.31:1	WT: LB	SHEET 1 OF 1