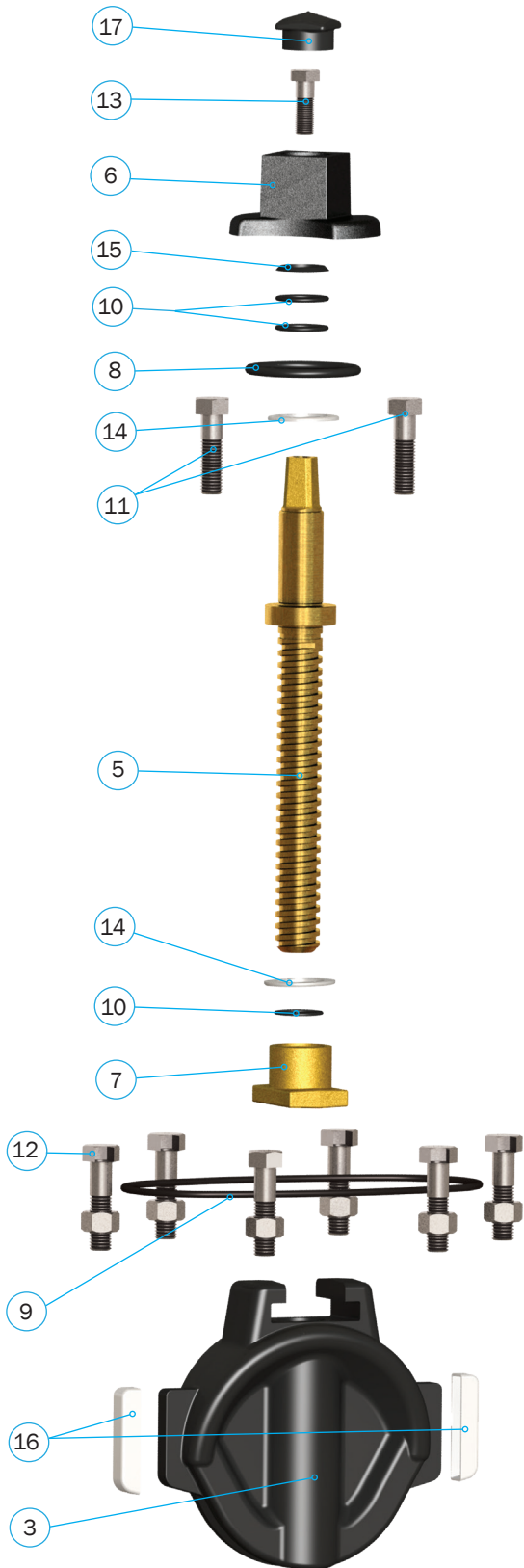


2" - 16" LUDLOW-RENSELAER VALVE PARTS



Ludlow-Rensselaer Valve Parts

Item No.	Qty.	Part Name and Description	Material
1*	1	Body	Ductile Iron
2*	1	Bonnet	Ductile Iron
3	1	Rubber Encapsulated Ductile Wedge	Ductile Iron/ Synthetic Rubber
4*	1	Seal Plate	Ductile Iron
5	1	Stem	Manganese Bronze
6	1	Operating Nut	Gray Iron
7	1	Stem Nut	Manganese Bronze
8	1	Seal Plate O-ring	Rubber, Buna-N
9	1	Bonnet O-ring	Rubber, Buna-N
10	3	Stem O-rings	Rubber, Buna-N
11	1	Seal Plate Bolts	Stainless Steel
12	1	Bonnet Bolts/Nuts	Stainless Steel
13	1	Large Hex Cap Screw	Stainless Steel
14	2	Thrust Washers	Polymer
15	1	External Stem Seal	Rubber, Buna-N
16	1	Wedge Guides	Polymer
17	1	Dust Cap	Rubber

* Not Shown



Ludlow-Rensselaer valves incorporate quality parts and a simple design. Each valve is inspected and individually tested.

All Ludlow-Rensselaer valves are made and assembled in the USA.