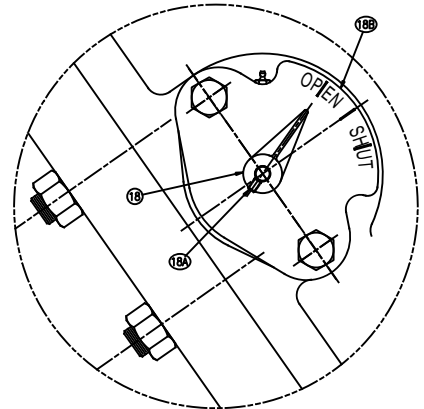
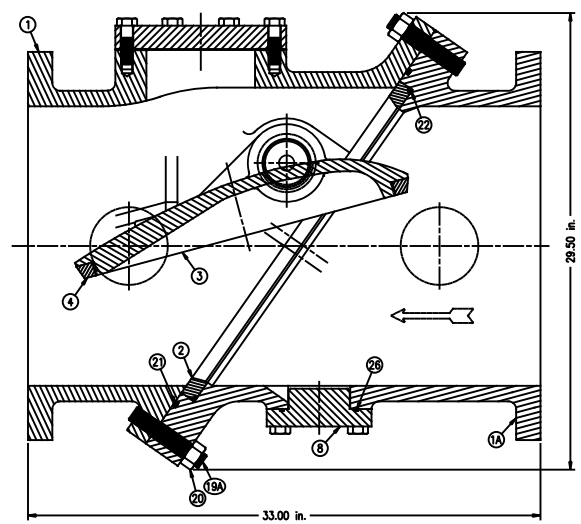
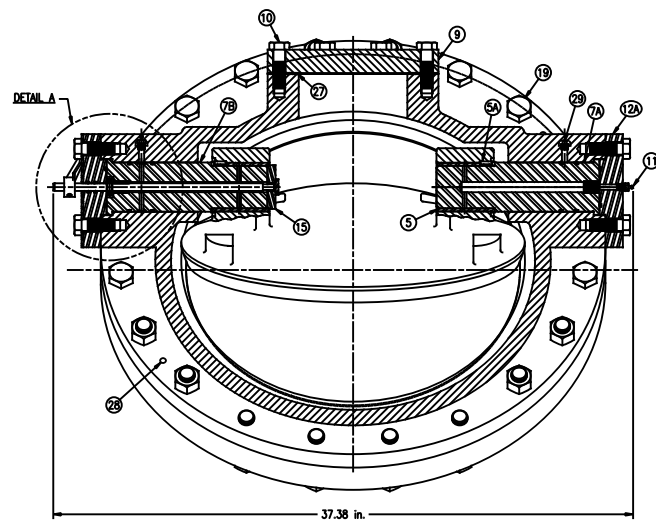


DETAIL A
SCALE: 0.50 = 1.00



(A) INDICATOR PLATE DETAIL
SCALE: 0.50 = 1.00

TILTING DISC VALVE PARTS LIST				
PART NO.	DWG. NO.	DESCRIPTION	MATERIAL	QTY.
1	TD18-1A	OUTLET BODY	A126 CL. B CAST IRON	1
1A	TD18-1B	INLET BODY	A126 CL. B CAST IRON	1
2	TD18-2	BODY SEAT RING	B62 BRONZE	1
3	TD18-3	DISC	A536 GR. 65-45-12 DUCTILE IRON	1
4	TD18-3AT	DISC SEAT RING	B62 BRONZE	1
5	TD18-5	DISC BUSHING	A511 TYPE 304 STAINLESS STEEL	2
5A	TD18-5A	DISC DOWEL PIN	A582 TYPE 303 STAINLESS STEEL	2
7A	TD18-7A	PIVOT PIN	A584, 17-4PH STAINLESS STEEL, CON. H1025	1
7B	TD18-7B	PIVOT PIN B	A584, 17-4PH STAINLESS STEEL, CON. H1025	1
8	TD12-8	BOTTOM COVER	A108 GR. 1018 CARBON STEEL	1
9	TD18-8A	TOP COVER	A108 GR. 1018 CARBON STEEL	1
10	TD36-14	COVER BOLTS	A193 STAINLESS STEEL	12
11	1650	ALMITE LUB. FITTING	A36 STEEL	2
12A	TD18-12A	END CAP A	A108 GR. 1018 CARBON STEEL	1
12B	TD18-12B	END CAP B	A108 GR. 1018 CARBON STEEL	1
13	202-11	END CAP BOLTS	A193 STAINLESS STEEL	4
15	TD18-15	DRIVE PLATE	A276 TYPE 304 STAINLESS STEEL	1
16	TD18-16	INDICATOR ROD	A582 TYPE 303 STAINLESS STEEL	1
16A	TD16-16A	INDICATOR ROD COLLAR	A582 TYPE 303 STAINLESS STEEL	1
18	TD10-18	INDICATOR	A351 TYPE 316 CAST STAINLESS STEEL	1
18A	TD24-18A	SET SCREW	18-8 STAINLESS STEEL	1
18B	TD16-18	INDICATOR PLATE	A240 TYPE 304 STAINLESS STEEL	2
19	1010-11AH	BODY BOLTS	A193 TYPE 316 STAINLESS STEEL	10
19A	1010-11S	BODY STUDS	A193 TYPE 316 STAINLESS STEEL	10
20	160-12	BODY NUTS	A194 TYPE 316 STAINLESS STEEL	20
21	AS 568A-475	BODY O-RING	D2000 BUNA-N RUBBER	1
22	AS 568A-473	BODY SEAT O-RING	D2000 BUNA-N RUBBER	1
23	AS 568A-233	PIVOT PIN O-RING	D2000 BUNA-N RUBBER	4
24	AS 568A-112	INDICATOR ROD O-RING	D2000 BUNA-N RUBBER	2
25	AS 568A-228	END CAP O-RING	D2000 BUNA-N RUBBER	2
26	AS 568A-248	BOTTOM COVER O-RING	D2000 BUNA-N RUBBER	1
27	TM20-14	TOP COVER GASKET	KLINGER-SIL C-4401	1
28	TD18-23	BODY DOWEL PIN	A108 GR. 1035 CARBON STEEL	2
29	PLG-.13	PIPE PLUG	A36 STEEL	1



FLANGE DATA	
FLANGE DIAMETER	25.00 in.
FLANGE THICKNESS	1.56 in.
BOLT CIRCLE DIAMETER	22.75 in.
NUMBER OF BOLT HOLES	16
BOLT HOLE DIAMETER	1.25 in.

- NOTES:
 1. ANSI B16.42, 18" CLASS 125 FLANGES
 2. MAX. WORKING PRESSURE: 150 PSIG
 3. APPROXIMATE WEIGHT: 1,470 lbs.
 4. VALVE WILL BE COATED INTERNALLY AND EXTERNALLY WITH TNEMEC SERIES 140 POTA-POX PLUS EPOXY

Crispin Valves
 18", CLASS 125, TILTING DISC CHECK VALVE

REV	DESCRIPTION	DATE	APPROVED	DESIGNED	DATE	FILE NO.	DWG. NO.	SHEET	OF
A	CORRECTED INDICATOR PLATE DETAIL	10-09-04					TD181	1	1
				S.J.L.	1-22-04	D			
				D.J.F.	6-30-03				