



# US SERIES

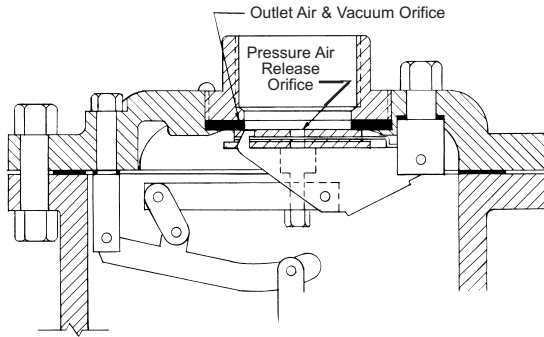
## Universal Sewer Valves

# Universal Sewer Valves

### Universal Short Body Series

MODEL	INLET	OUTLET	HEIGHT
US10S	2" screwed	1" screwed	12 3/4"
US20S	2" screwed	2" screwed	12 3/4"

### Universal Valve Seating Detail



All CRISPIN Air and Vacuum Valves have standard Buna-N seating material with a Shore durometer of 70-80.

This standard seat allows drip tight closure beyond 4-5 PSIG. Occasionally, a gravity system operates at pressures less than 10 PSIG. These applications require a soft seating material which will prevent leakage down to 2 PSIG. This soft seating material should not be applied to systems with operating pressures greater than 50 PSIG, or high pressure leaks may occur around the seat.

Because of the unpredictable nature of sewage, backflushing attachments are recommended. These attachments will permit the valve to be cleaned periodically to help maintain the system design's efficiency.

### Parts List

PART NO.	ITEM	MATERIAL
1P <sup>†</sup>	PROTECTOP	Cast Iron
1S <sup>†</sup>	TOP	Cast Iron
2	FLANGE	Cast Iron
3 <sup>†</sup>	BODY, SCREWED	Cast Iron
3F* (2" only)	BODY, 125lb Fig.	Cast Iron
3FH* (2" only)	BODY, 250lb Fig.	Cast Iron
4	A&V FULCRUM	Stainless Steel
4A	A&V FULCRUM BOLT	Stainless Steel
6	VALVE LEVER	Stainless Steel
7	LINK	Stainless Steel
8	BALL LEVER	Stainless Steel
9	BALL FLOAT	Stainless Steel
9A	FLOAT ROD	Stainless Steel
10	BALL FULCRUM	Stainless Steel
11	VALVE PLUNGER	BUNA-N/SS
12	PLUNGER NUT	Stainless Steel
15	PRESSURE SEAT	Stainless Steel
16	PRESSURE FULCRUM	Stainless Steel
17	SEAT CAGE	Stainless Steel
18	A&V SEAT	BUNA-N
21 (2" only)	PRESS. LIMIT STOP	Stainless Steel
23	BEARING PIN	Stainless Steel
23A	BEARING PIN	Stainless Steel
23B	BEARING PIN	Stainless Steel
24	BEARING PIN	Stainless Steel
25	BEARING PIN	Stainless Steel
26	PIN CLIP	Stainless Steel
29 (2" only)	DRAIN PLUG	Steel
30	FULCRUM WASHER	Fibre
31	FULCRUM WASHER	Fibre
32	FLANGE GASKET	Armstrong
33	FLANGE BOLT	Steel
34	FLANGE NUT	Steel
36	BALL FULCRUM NUT	Steel

All Crispin valves are hydrostatically tested at 150% of their maximum working pressure.

<sup>†</sup> The above parts are provided as kits or assemblies for ease of maintenance.

\* The above parts are optional and interchangeable at the customer's request