



VP/VSL SERIES

Crispin Vacuum Priming Valve

Service Applications

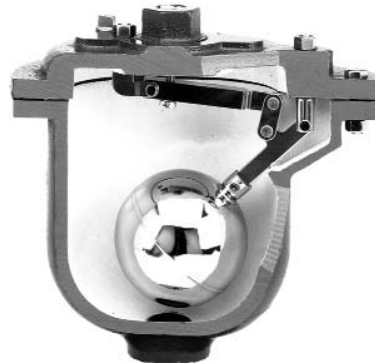
- Used in conjunction with a vacuum source when priming a centrifugal pump
- Prevents liquid from getting to a vacuum source
- Functions as a clean water & sewage priming valve

Crispin Vacuum Priming Valves are used in conjunction with a vacuum source when priming a centrifugal pump. As the vacuum pump lowers the pressure at the centrifugal pump, atmospheric pressure pushes the liquid in the sump or wet well up the section leg of the pump. When the liquid reaches the Vacuum Priming Valve, the valve closes and prevents the liquid from getting to the vacuum source. As residual air collects, the liquid level in the valve is displaced. The float drops and the air is drawn out by the vacuum source. The re-entering liquid buoys the float to seal the valve.

Sewage Vacuum Priming Valves provide the same function as clean water priming valves, with the exception of an elongated body to handle the sewage solids.

Dimensions & Weight Information

SIZE OF VALVE	CLEAN WATER					SEWAGE		
	1"	2"	2 1/2"	3"	4"	2"	3"	4"
A	9 3/4	10 1/8	11 1/2	12 1/2	14 1/4	9 3/4	9 3/4	9 3/4
B Scwd Connection	9 1/8	10 1/2	11 1/8	13 1/2	16 5/8	21 5/8	21 5/8	21 5/8
Add to "B" for Vacuum Check	2 1/2	2 1/2	3 3/4	3 3/4	3 3/4	2 1/2	2 1/2	2 1/2
Weight Scwd. Connection	23lbs	45lbs	58lbs	87lbs	132lbs	49lbs	49lbs	49lbs
Size Outlet	1/2" NPT	1/2" NPT	1" NPT	1" NPT	1" NPT	1/2"	1/2"	1/2"



Sewage

SIZE OF VALVE	2"	3"	4"
Model No. Screwed Inlet	VSL20	VSL30	VSL40
w/ Back Flush Attachments	VSL20B	VSL30B	VSL40B

Model Information for Clean Water

SIZE OF VALVE	1"	2"	2 1/2"	3"	4"
Model No.	VPL10	VPL20	VP250	VP30	VP40
Screwed Inlet		VPL10A		VPL20A	
125# Flanged Inlet		VPL21	VP251	VP31	VP41
250# Flanged Inlet		VPL22	VP252	VP32	VP42
Trim	S/S	S/S	IBBT	IBBT	IBBT

